



**RAYCHEM**

TE Internal #: 382602-000

Spec 44, Operating Voltage 600 VAC, Tin-Coated Copper, 24 AWG Wire Size, Operating Temperature Range -65 – 150 °C, Twisted Pair Cable

[View on TE.com >](#)

Wire & Cable > Twisted Pair Cable



Cable Type: **Spec 44**

Operating Voltage: **600 VAC**

Wire & Cable Insulation Material: **Modified Radiation Cross-linked PVDF**

Conductor Material: **Tin-Coated Copper**

Wire Size: **24 AWG**

**Features**

**Electrical Characteristics**

|                   |         |
|-------------------|---------|
| Operating Voltage | 600 VAC |
|-------------------|---------|

**Body Features**

|                                  |                                      |
|----------------------------------|--------------------------------------|
| Wire & Cable Insulation Material | Modified Radiation Cross-linked PVDF |
| Conductor Material               | Tin-Coated Copper                    |

**Dimensions**

|           |        |
|-----------|--------|
| Wire Size | 24 AWG |
|-----------|--------|

**Usage Conditions**

|                             |                            |
|-----------------------------|----------------------------|
| Cable Type                  | Spec 44                    |
| Operating Temperature Range | -65 – 150 °C[-85 – 302 °F] |

**Product Compliance**

[For compliance documentation, visit the product page on TE.com>](#)

|   |  |
|---|--|
| EU RoHS Directive 2011/65/EU                  | Compliant                                    |
| EU ELV Directive 2000/53/EC                   | Compliant                                    |
| China RoHS 2 Directive MIIT Order No 32, 2016 | No Restricted Materials Above Threshold      |
| EU REACH Regulation (EC) No. 1907/2006        | Current ECHA Candidate List: JUNE 2024 (241) |

Candidate List Declared Against: JAN 2024  
(240)

Does not contain REACH SVHC

Halogen Content

Out of Scope - excluded from Halogen requirements

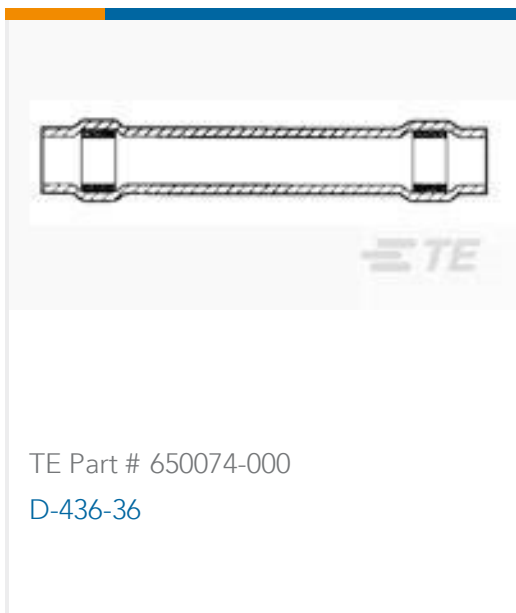
Solder Process Capability

Not applicable for solder process capability

Product Compliance Disclaimer

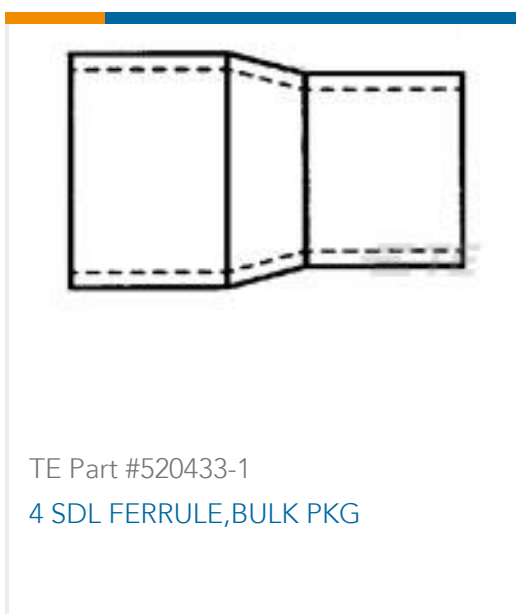
This information is provided based on reasonable inquiry of our suppliers and represents our current actual knowledge based on the information they provided. This information is subject to change. The part numbers that TE has identified as EU RoHS compliant have a maximum concentration of 0.1% by weight in homogenous materials for lead, hexavalent chromium, mercury, PBB, PBDE, DBP, BBP, DEHP, DIBP, and 0.01% for cadmium, or qualify for an exemption to these limits as defined in the Annexes of Directive 2011/65/EU (RoHS2). Finished electrical and electronic equipment products will be CE marked as required by Directive 2011/65/EU. Components may not be CE marked. Additionally, the part numbers that TE has identified as EU ELV compliant have a maximum concentration of 0.1% by weight in homogenous materials for lead, hexavalent chromium, and mercury, and 0.01% for cadmium, or qualify for an exemption to these limits as defined in the Annexes of Directive 2000/53/EC (ELV). Regarding the REACH Regulation, the information TE provides on SVHC in articles for this part number is based on the latest European Chemicals Agency (ECHA) 'Guidance on requirements for substances in articles' posted at this URL: <https://echa.europa.eu/guidance-documents/guidance-on-reach>

## Compatible Parts

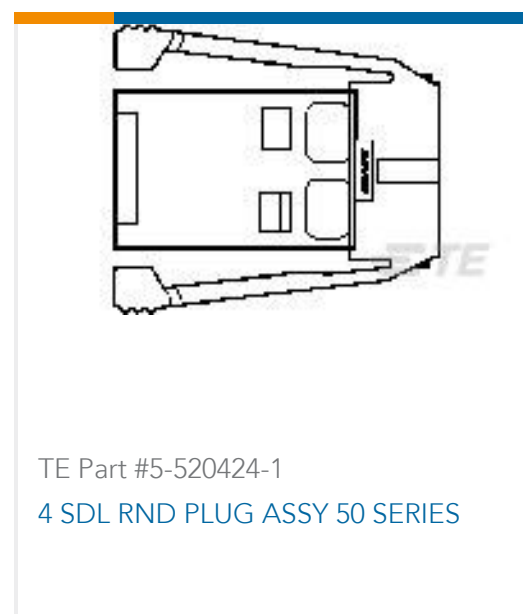


TE Part # 650074-000  
D-436-36

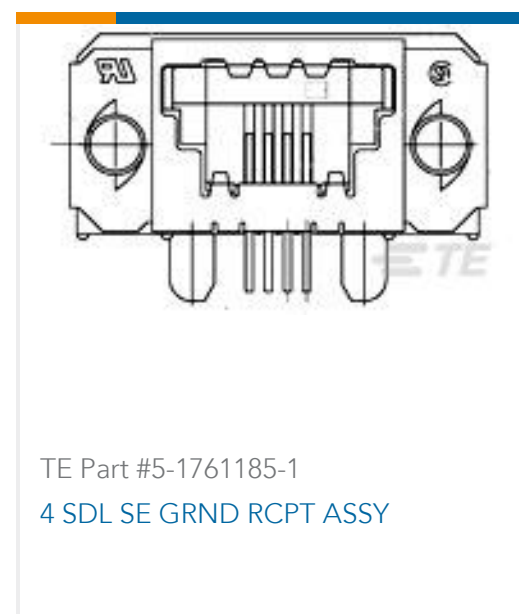
## Customers Also Bought



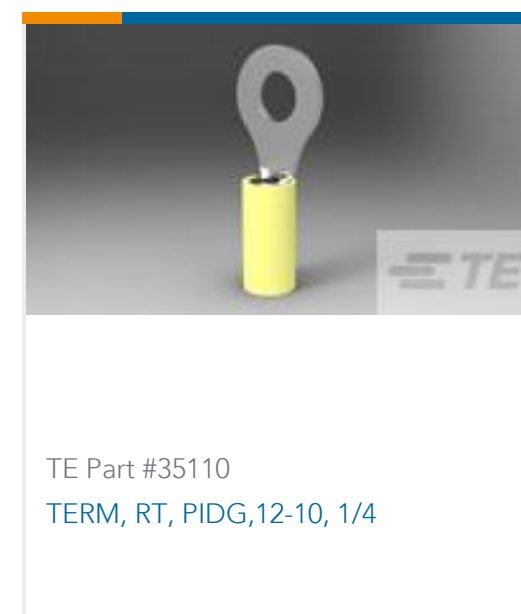
TE Part #520433-1  
4 SDL FERRULE,BULK PKG



TE Part #5-520424-1  
4 SDL RND PLUG ASSY 50 SERIES



TE Part #5-1761185-1  
4 SDL SE GRND RCPT ASSY



TE Part #35110  
TERM, RT, PIDG,12-10, 1/4



## Documents

### Product Drawings

[44A1121-24-0/2-9](#)

English

### Datasheets & Catalog Pages

[1654025\\_Sec9\\_SPEC44](#)

English

### Product Specifications

[Product Specification](#)

English