



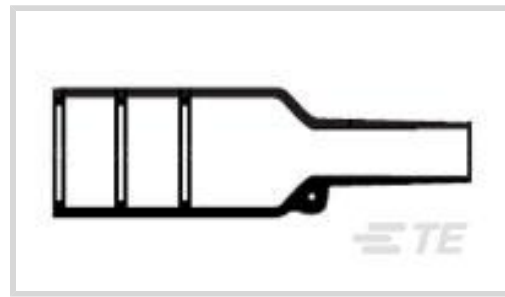
Raychem

TE Internal #: 631516-000

Heat Shrink Boots, Straight, Molded Part Shape Code 202, Lipped, Material Code 100, Material Systems Code 100, Adhesive Pre-Coat

[View on TE.com >](#)

Harnessing > Heat Shrink Components > Heat Shrink Boots



Molded Part Shape: **Straight**

Molded Part Shape Code: **202**

Lipped: **Yes**

Material Code: **100**

Material Systems Code: **100**

## Features

### Product Type Features

Molded Part Shape	Straight
-------------------	----------

### Configuration Features

Lipped	Yes
--------	-----

### Body Features

Material Code	100
Material Systems Code	100
Adhesive Pre-Coat	Yes
Material	Low Fire Hazard Material

### Dimensions

Wire/Cable Outside Diameter	.236 in, .276 in, .3 in, .31 in, .35 in, 6 mm, 7 mm, 8 mm, 9 mm
Cable Diameter Range	5.6 – 13 mm[5.6 – 14 in]

### Usage Conditions

Operating Temperature Range	-30 – 105 °C[-22 – 221 °F]
Flammability	Low Fire Hazard

### Operation/Application

Power Cable Accessory	No
-----------------------	----

### Industry Standards

--	--



Approved Standards	BR1326 listed Class G, BS-G-198-5-DF, DEF Std 59-97 Issue 3 Type DF, IEC 62329-3-101
--------------------	--------------------------------------------------------------------------------------

Government Qualified	No
----------------------	----

### Other

Molded Part Shape Code	202
------------------------	-----

Fluid/Chemical Resistance	Long-Term Exposure at High Temperature
---------------------------	----------------------------------------

## Product Compliance

[For compliance documentation, visit the product page on TE.com>](#)

EU RoHS Directive 2011/65/EU	Compliant
------------------------------	-----------

EU ELV Directive 2000/53/EC	Compliant
-----------------------------	-----------

China RoHS 2 Directive MIIT Order No 32, 2016	No Restricted Materials Above Threshold
-----------------------------------------------	-----------------------------------------

EU REACH Regulation (EC) No. 1907/2006	Current ECHA Candidate List: JAN 2020 (205) Candidate List Declared Against: JAN 2020 (205) Does not contain REACH SVHC
----------------------------------------	-------------------------------------------------------------------------------------------------------------------------------

EU REACH Regulation (EC) No. 1907/2006	Current ECHA Candidate List: JAN 2020 (205) Candidate List Declared Against: JAN 2020 (205)
----------------------------------------	------------------------------------------------------------------------------------------------

Halogen Content	Low Halogen - Br, Cl, F, I < 900 ppm per homogenous material. Also BFR/CFR/PVC Free
-----------------	-------------------------------------------------------------------------------------

Solder Process Capability	Not applicable for solder process capability
---------------------------	----------------------------------------------

#### Product Compliance Disclaimer

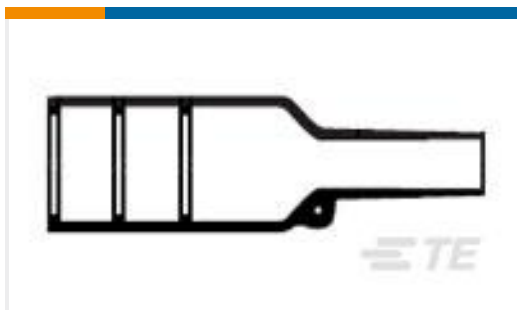
This information is provided based on reasonable inquiry of our suppliers and represents our current actual knowledge based on the information they provided. This information is subject to change. The part numbers that TE has identified as EU RoHS compliant have a maximum concentration of 0.1% by weight in homogenous materials for lead, hexavalent chromium, mercury, PBB, PBDE, DBP, BBP, DEHP, DIBP, and 0.01% for cadmium, or qualify for an exemption to these limits as defined in the Annexes of Directive 2011/65/EU (RoHS2). Finished electrical and electronic equipment products will be CE marked as required by Directive 2011/65/EU. Components may not be CE marked. Additionally, the part numbers that TE has identified as EU ELV compliant have a maximum concentration of 0.1% by weight in homogenous materials for lead, hexavalent chromium, and mercury, and 0.01% for cadmium, or qualify for an exemption to these limits as defined in the Annexes of Directive 2000/53/EC (ELV). Regarding the REACH Regulations, TE's information on SVHC in articles for this part number is still based on the European Chemical Agency (ECHA) 'Guidance on requirements for substances in articles' (Version: 2, April 2011), applying the 0.1% weight on weight concentration threshold at the finished product level. TE is aware of the European Court of Justice ruling of September 10th, 2015 also known as O5A (Once An Article Always An Article) stating that, in case of 'complex object', the threshold for a SVHC must be applied to both the product as a whole and simultaneously to each of the articles forming part of its composition. TE has evaluated this ruling based on the new ECHA "Guidance on requirements for substances in articles" (June 2017, version 4.0) and will be updating its statements accordingly.

## Compatible Parts

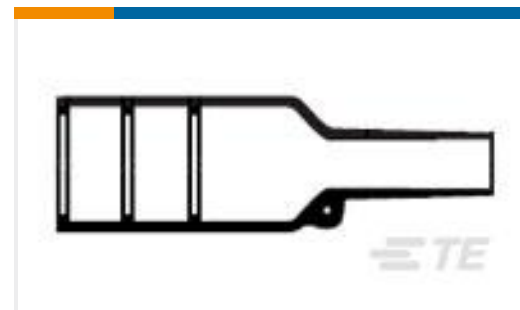


TE Model / Part # CJ2087-000  
HL2010E-KIT-120V

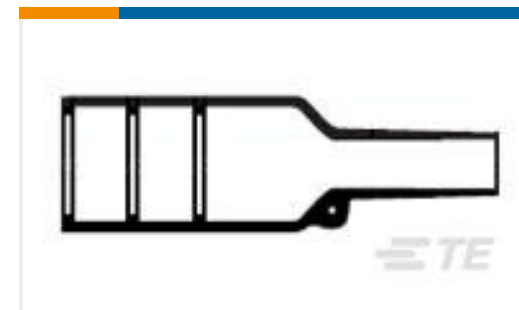
## Customers Also Bought



TE Model / Part #874333-000  
202K142-100/180-0



TE Model / Part #462867-000  
202K153-100/180-0



TE Model / Part #653482-000  
202K132-100/180-0



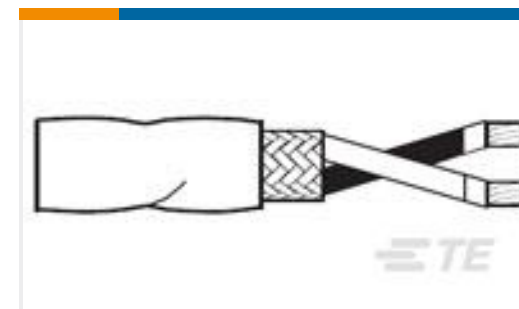
TE Model / Part #4611264003  
ZHTM-24/12-0-SP



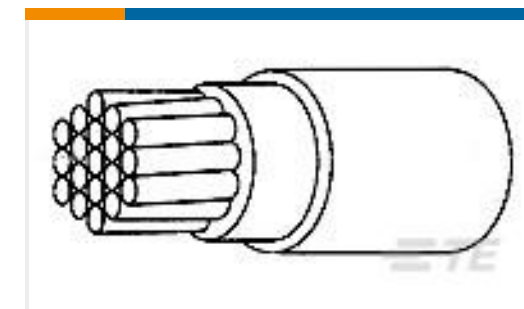
TE Model / Part #2411034003  
ZHTM-3/1.5-0-SP



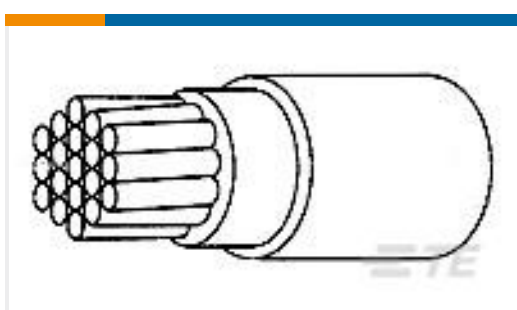
TE Model / Part #2155384003  
ZHTM-12/6-0-SP



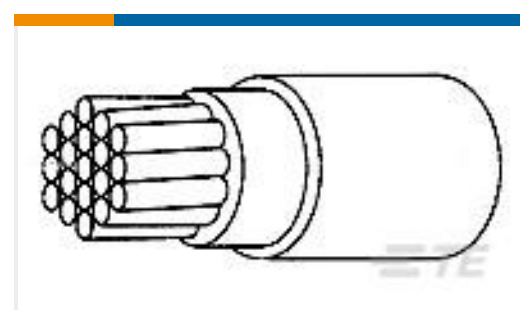
TE Model / Part #7220453001  
99M1121-22-2/6-0



TE Model / Part #5309113001  
99M0111-12-45



TE Model / Part #4589973001  
99M0111-16-2



TE Model / Part #6408753001  
99M0111-16-1

## Documents

### Product Drawings

[202K121-100/180-0](#)

English

### Datasheets & Catalog Pages

[1654025\\_Sec4\\_-100](#)

English

### Product Specifications



**Product Specification**

English

---

**Product Environmental Compliance**

**Safety Datasheet**

English

**Safety Datasheet**

**Safety Datasheet**

**Safety Datasheet**

English

**Safety Datasheet**

French

**Safety Datasheet**

German

**Safety Datasheet**

**Safety Datasheet**

**Safety Datasheet**

**Safety Datasheet**

**Safety Datasheet**

English

**Safety Datasheet**

**Safety Datasheet**

German

**Safety Datasheet**

**Safety Datasheet**

English

**Safety Datasheet**

**Safety Datasheet**

French

**Safety Datasheet**

**Safety Datasheet**

English