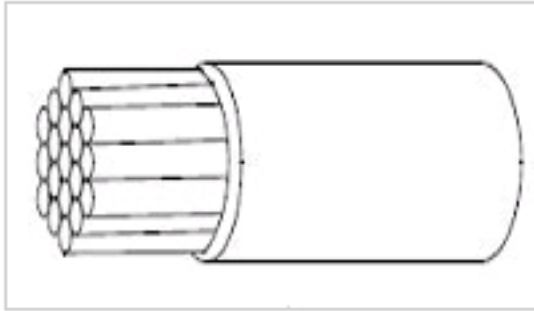




22759/32-12-9 Product Details

[Share](#) | [Print](#) | [Email](#)


Spec 44, Spec 55 and Spec RCW Wire and Cable

22759/32-12-9

22759/32-12-9 (M22759/32-12-9)

TE Internal Number: 216270-001

Active

Product Highlights [View All](#)

- Cable Type = Spec 55
- Wire Source = United States
- Cable Style = Primary
- Wire Size (AWG/CM) = 12 AWG
- Voltage Rating = 600 VAC

[Pricing & Availability](#)
[Request Sample](#)
[Add to My Part List](#)
[Buy Product through Distributor](#)

Feedback

[Documents](#) | [Features](#) | [Compliance](#)

Please Note:

Use the Product Drawing for all design activity

Product Type Features	
Cable Type	Spec 55
Cable Style	Primary
Electrical Characteristics	
Voltage Rating (VAC)	600
Dimensions	
Conductor Outer Diameter (mm [in])	2.23 [0.088]
Body Features	
Wire Size (AWG/CM)	12 AWG
Conductor Type	Tin-Coated Copper
Wire Color	White
Nominal Outside Diameter (mm [in])	2.62 [0.103]
Wire Diameter (mm [in])	2.62 [0.103]
Configuration Features	
Number of Conductors	1

Industry Standards	
Government/Industry Qualification	Yes
Government/Industry Part Number	M22759/32-12-9
RoHS/ELV Compliance	RoHS compliant, ELV compliant
Lead Free Solder Processes	Not relevant for lead free process
RoHS/ELV Compliance History	Always was RoHS compliant
Conditions for Usage	
Temperature Range (°C)	-65 - +150
Wire Size - Details	12 AWG 2.98 mm ² , 0.0046 in ² , 37 x 28 AWG
Operation/Application	
Application	General Purpose - Light Weight
Packaging Features	
Wire Source	United States
Other	
Brand	Raychem
Node Classification	Hook Up Wire

Related Products

Not quite the product you're looking for?

[Find Similar Products](#)

[View Part in Product Feature Selector](#)

[Check for Tooling](#)

Corporate Information

- [About TE](#)
- [Investors](#)
- [News Room](#)
- [Supplier Portal](#)
- [Careers](#)
- [Terms & Conditions](#)
- [Privacy Policy](#)
- [Global Accessibility Statement](#)

Quick Links

- [Distributor Inventory](#)
- [Product Cross Reference](#)
- [Documents & Drawings](#)
- [Product Compliance Support Center](#)
- [Site Map](#)

Customer Support

- [Email or Chat With Us](#)
- [Find a Phone Number](#)
- [Knowledge Base](#)
- [Manage Your Account](#)

Keep Me Informed

