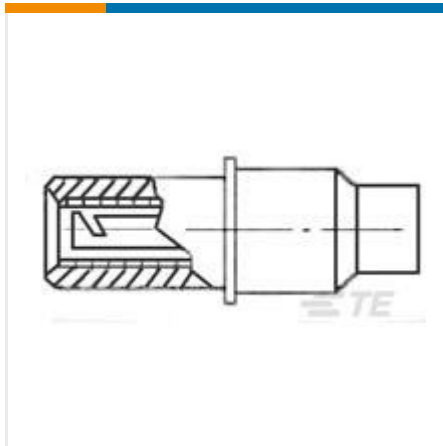




[+ CABLE ASSEMBLIES](#)
[DATA BUS CONNECTORS](#)



✓ Active

TE CONNECTIVITY (TE)
D-602-1113
Raychem

D-602-1113
TE Internal Number: 517641-000
Alias ID: 9-1194063-1

[Not Yet Reviewed for EU RoHS](#)
[Not Yet Reviewed for EU ELV](#)

Contact Type Pin

[↓ PRODUCT DRAWING](#)
English

DOCUMENTATION

Product Drawings

Triaxial Pin Contact MIL-C-38999 Size 8 Twinxial Cable

PDF

English

Product Specifications

Product Specification

Termination Procedure For Triaxial Contacts D-602-1112, D-602-1113, MIL-C-38999, Size 8

PDF

English

FEATURES

Please review product documents or [contact us](#) for the latest agency approval information.

Please Note: Use the Product Drawing for all design activity.

Product Type Features

Product Type Data Bus Component

Contact Features

Contact Type Pin

Termination Features

Connection Type Solder

Usage Conditions

Operating Temperature (Max) (°C) 125

Statement of Compliance

Statement of Compliance

PDF