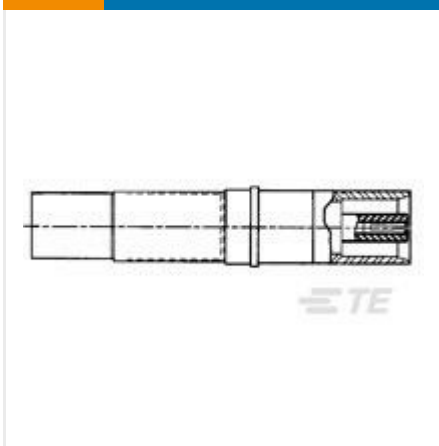




- [+ CABLE ASSEMBLIES](#)
- [DATA BUS CONNECTORS](#)



✓ Active

TE CONNECTIVITY (TE)
DK-602-0157-3

Raychem

DK-602-0157-3
TE Internal Number: 202178-000
Alias ID: 5-1191465-7

Not Yet Reviewed for EU RoHS
Not Yet Reviewed for EU ELV

Contact Type Socket

[↓ PRODUCT DRAWING](#)
English

DOCUMENTATION

Product Drawings

Contacts Electrical Connector Concentric Triax For Twinax Cable Socket SolderTact Size 8 For MIL-C-38999 Series I, III And IV

PDF

English

Product Specifications

Product Specification

Installation Procedure For DK-602-0156 And -0157 Triaxial Contacts

PDF

English

FEATURES

Please review product documents or [contact us](#) for the latest agency approval information.

Please Note: Use the Product Drawing for all design activity.

Product Type Features

Product Type Data Bus Component

Contact Features

Contact Type Socket

Termination Features

Connection Type Solder

Usage Conditions

Operating Temperature (Max) (°C) 125

PRODUCT COMPLIANCE



Statement of Compliance

Statement of Compliance

PDF
