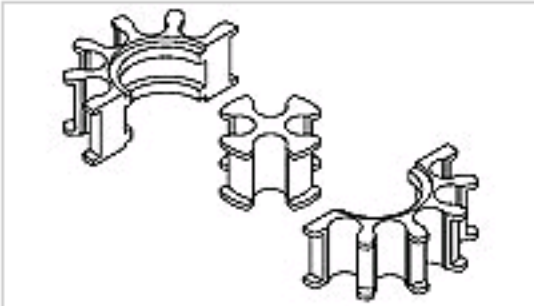




FLX40-021-08 Product Details

[Share](#) | [Print](#) | [Email](#)


✓ Active

HexaShield Adapters and Ferrule Kits

FLX40-021-08

FLX40-021-08

TE Internal Number: CP5996-000

Product Highlights [View All](#)

- Connector Code = 40
- Aluminum Alloy Material
- Electroless Nickel Finish
- Star Style = Split
- None

[Pricing & Availability](#)
[Request Sample](#)
[Add to My Part List](#)
[Buy Product through Distributor](#)
[Feedback](#)
[Documents](#)
[Features](#)
[Compliance](#)

Please Note:

Use the Product Drawing for all design activity

Product Type Features

Finish [?]	Electroless Nickel
Color	Bright

Electrical Characteristics

Star Style [?]	Split
-------------------------	-------

Body Features

Connector Code [?]	40
Material [?]	Aluminum Alloy

Configuration Features

Braid	None
-------	------

Industry Standards

RoHS/ELV Compliance [?]	Not ELV/RoHS compliant
Lead Free Solder Processes [?]	Not relevant for lead free process

Conditions for Usage

Salt Spray Resistance (Hr)	48
----------------------------	----

Other

Brand	Raychem
-------	---------

Related Products

Not quite the product you're looking for?

[Find Similar Products](#)

[View Part in Product Feature Selector](#)

[Check for Tooling](#)

Corporate Information

- [About TE](#)
- [Investors](#)
- [News Room](#)
- [Supplier Portal](#)
- [Careers](#)
- [Terms & Conditions](#)
- [Privacy Policy](#)
- [Global Accessibility Statement](#)

Quick Links

- [Distributor Inventory](#)
- [Product Cross Reference](#)
- [Documents & Drawings](#)
- [Product Compliance Support Center](#)
- [Site Map](#)

Customer Support

- [Email or Chat With Us](#)
- [Find a Phone Number](#)
- [Knowledge Base](#)
- [Manage Your Account](#)

Keep Me Informed

