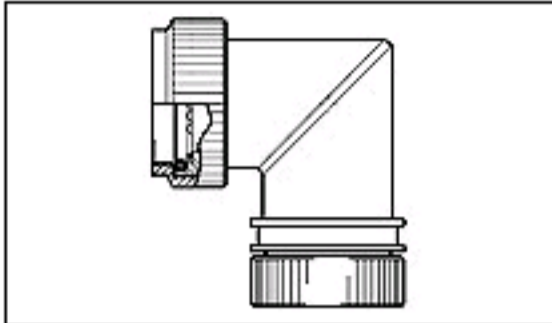




## HEX40-AC-90-13-A3-2 Product Details



HEX40-AC-90-13-A3-2

TE Internal Number: 314009-000



### HexaShield Adapters and Ferrule Kits

 [Always EU RoHS/ELV Compliant \(Statement of Compliance\)](#)

#### Product Highlights:

- Connector Code = 40
- Aluminum Alloy Material
- Nickel (Electroless) Finish
- 90°
- Shell Size = 13, C

[View all Features](#)

#### Quick Links

- ▶ [Check Pricing & Availability](#)
- ▶ [Search for Tooling](#)
- ▶ [Product Feature Selector](#)
- ▶ [Contact Us About This Product](#)

[Add to My Part List](#)  [Request Sample](#)  [Find Similar Products](#)  [Buy Product](#)

### Documentation & Additional Information

#### Product Drawings:

- [HexaShield Adaptor for Code 40 Connectors Tinel Clam...](#) (PDF, English)

#### Catalog Pages/Data Sheets:

- None Available

#### Product Specifications:

- None Available

#### Application Specifications:

- None Available

#### Instruction Sheets:

- None Available

#### CAD Files:

- None Available

#### Related Products:

- [Tooling](#)

[List all Documents](#)

### Product Features (Please use the Product Drawing for all design activity)

#### Product Type Features:

- [Material](#) = Aluminum Alloy
- [Finish](#) = Nickel (Electroless)
- [Angle](#) = 90°
- [Shell Size](#) = 13, C

#### Electrical Characteristics:

- [Number of Ferrules](#) = 3
- [Overbraid Termination](#) = Tinel-Lock
- [Star Style](#) = Standard
- Recommended Boot = 202K153-25-G03-0
- Tinel-Lock Ring Supplied = TR10AI

#### Body Features:

- [Connector Code](#) = 40
- [Length of Adapter](#) = Standard

#### Configuration Features:

- [Braid](#) = Single 36 AWG Braid
- Number of 22 AWG Shielded Pairs, Max. = 12
- Number of 20 AWG Shielded Pairs, Max. = 9

#### Industry Standards:

- [RoHS/ELV Compliance](#) = RoHS compliant, ELV compliant
- [Lead Free Solder Processes](#) = Not relevant for lead free process
- RoHS/ELV Compliance History = Always was RoHS compliant

#### Other:

- Brand = Raychem

### Corporate Information

- [Who We Are](#)
- [Investors](#)
- [News Room](#)
- [Supplier Portal](#)
- [Careers](#)

### Quick Links

- [Check Distributor Inventory](#)
- [Cross Reference](#)
- [Find Documents & Drawings](#)
- [Product Compliance Support Center](#)
- [Site Map](#)

### Customer Support

- [Email or Chat With Us](#)
- [Find a Phone Number](#)
- [Search Knowledge Base](#)
- [Manage your Account](#)

### Keep Me Informed

Receive TE News, Events & Technology Updates



