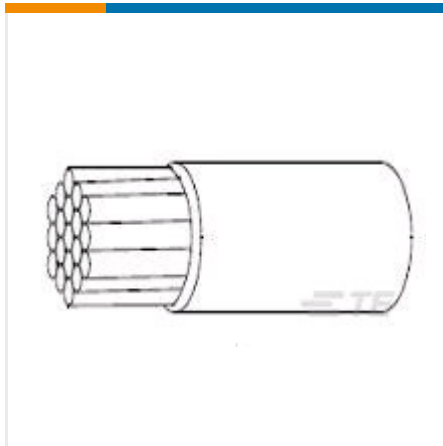




[+ WIRE AND CABLE](#)

[HOOK UP WIRE](#)



✓ Active

TE CONNECTIVITY (TE)

22759/33-26-2

[Raychem | RC](#)

22759/33-26-2

TE Internal Number: 275829-001

Mil-Spec: M22759/33-26-2

Alias ID: 7-1192042-3

[EU RoHS Compliant](#)

[EU ELV Compliant](#)

Cable Type Spec 55A

Voltage Rating (V) 600

Insulation Material Radiation-Crosslinked, Modified ETFE

Conductor Material Silver-Coated High Strength Copper Alloy

Wire Size (AWG) 26

[↓ PRODUCT DRAWING](#)

English

DOCUMENTATION

Product Drawings

WIRE, RADIATION-CROSSLINKED, MODIFIED, ETFE-INSULATED, SILVER-COATED HIGH STRENGTH COPPER ALLOY, LIGHTWEIGHT

PDF (TIFF AVAILABLE)

English

Product Specifications

Product Specification

Wire And Cable, Electric, Radiation-Crosslinked, Extruded, Modified, Fluoropolymer-Insulated Copper Or Copper Alloy

PDF

English

FEATURES



Please review product documents or [contact us](#) for the latest agency approval information.

Please Note: Use the Product Drawing for all design activity.

Product Type Features

Cable Type Spec 55A

Cable Style Primary

Product Classification Cable - High Performance - Spec 44, 55 & RCW

Product Type Cable

Configuration Features

Number of Strands 19

Number of Conductors 1

Electrical Characteristics

Voltage Rating (V) 600

Body Features

Insulation Material Radiation-Crosslinked, Modified ETFE

Conductor Material Silver-Coated High Strength Copper Alloy

Wire Color Red

Dimensions

Strand Size (AWG) 38

Wire Size (AWG) 26

Wire Size (mm²) .129

Conductor Diameter .5 mm [.02 in]

Overall Outside Diameter .81 mm [.032 in]

Insulation Thickness (in) .005

Wire Diameter .81 mm [.032 in]

Usage Conditions

Operating Temperature Range (°C) -65 – 200

Other

Wire Source United States

PRODUCT COMPLIANCE



Statement of Compliance

Statement of Compliance

PDF
