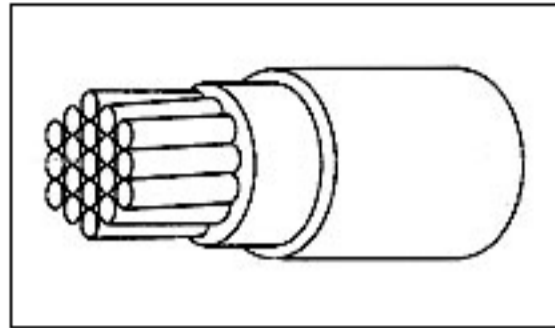




100G0111-0.40-0 Product Details

[Share](#) | [Print](#) | [Email](#)


100G0111-0.40-0

TE Internal Number: 9922713001

Active

Spec 99 and Spec 100 Wire and Cable

Always EU RoHS/ELV Compliant (Statement of Compliance)

Product Highlights:

- Cable Type = Spec 100G
- Cable Style = Primary
- Wire Size (AWG or Metric) = 0.40 mm²
- Number of Conductors = 1
- General Purpose Application

[View all Features](#)

[Add to My Part List](#) | [Request Sample](#) | [Find Similar Products](#) | [Buy Product](#)

Quick Links

- ▶ [Check Pricing & Availability](#)
- ▶ [Search for Tooling](#)
- ▶ [Product Feature Selector](#)
- ▶ [Contact Us About This Product](#)

Documentation & Additional Information

Product Drawings:

- [Customer Drawing](#) (PDF, English)

Catalog Pages/Data Sheets:

- None Available

Product Specifications:

- None Available

Application Specifications:

- None Available

Instruction Sheets:

- None Available

CAD Files:

- None Available

Related Products:

- [Tooling](#)

[List all Documents](#)

Product Features (Please use the Product Drawing for all design activity)

Product Type Features:

- [Cable Type](#) = Spec 100G
- [Cable Style](#) = Primary

Electrical Characteristics:

- [Wire Size \(AWG or Metric\)](#) = 0.40 mm²
- [Voltage Rating \(VAC\)](#) = 600

Dimensions:

- [Conductor Outer Diameter \(mm \[in\]\)](#) = 0.76 [0.030]

Body Features:

- [Wire Color](#) = Black
- [Nominal Outside Diameter \(mm \[in\]\)](#) = 1.32 [0.0519]
- [Wire Diameter \(mm \[in\]\)](#) = 1.32 [0.0519]
- [Conductor Type](#) = Tin-Plated Copper

Configuration Features:

- [Number of Conductors](#) = 1

Industry Standards:

- [RoHS/ELV Compliance](#) = RoHS compliant, ELV compliant
- [Lead Free Solder Processes](#) = Not relevant for lead free process
- [RoHS/ELV Compliance History](#) = Always was RoHS compliant

Conditions for Usage:

- [Temperature Range \(°C\)](#) = -30 - +105, 150

Operation/Application:

- [Application](#) = General Purpose

Packaging Features:

- [Wire Source](#) = United Kingdom

Other:

- [Brand](#) = Raychem

Corporate Information

[About TE](#)
[Investors](#)
[News Room](#)
[Supplier Portal](#)
[Careers](#)
[Terms & Conditions](#)
[Privacy Policy](#)

Quick Links

[Check Distributor Inventory](#)
[Cross Reference Products](#)
[Find Documents & Drawings](#)
[Product Compliance Support Center](#)
[Site Map](#)

Customer Support

[Email or Chat With Us](#)
[Find a Phone Number](#)
[Search Knowledge Base](#)
[Manage Your Account](#)

Keep Me Informed

Receive TE News, Events & Technology Updates

[>](#)

