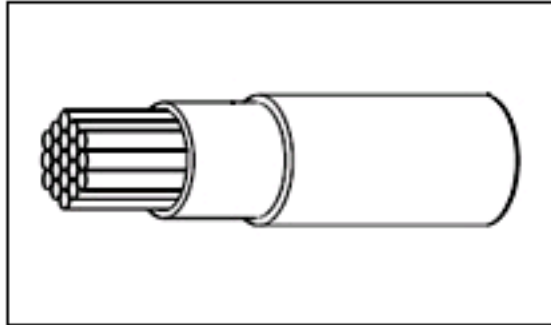




## FLDWC0311-14-6 Product Details

[Share](#) [Print](#) [Email](#)


FLDWC0311-14-6

TE Internal Number: 609811-000

 [Active](#)

### Commercial Wire

 [Always EU RoHS/ELV Compliant \(Statement of Compliance\)](#)

#### Product Highlights:

- Cable Type = FlexLite DW
- Conductor Type = Tin-Plated Copper
- Conductor (Wire) Size = 14 AWG
- Temperature Range = -45 - 125 °C
- Color = Blue

[View all Features](#)

### Quick Links

- ▶ [Check Pricing & Availability](#)
- ▶ [Search for Tooling](#)
- ▶ [Product Feature Selector](#)
- ▶ [Contact Us About This Product](#)

[Add to My Part List](#)  [Request Sample](#)  [Find Similar Products](#)  [Buy Product](#)

### Documentation & Additional Information

#### Product Drawings:

- [DUAL WALL HOOKUP WIRE, RADIATION-CROSSLINKED, POLYAL...](#) (PDF, English)

#### Catalog Pages/Data Sheets:

- None Available

#### Product Specifications:

- None Available

#### Application Specifications:

- None Available

#### Instruction Sheets:

- None Available

#### CAD Files:

- None Available

#### Related Products:

- [Tooling](#)

[List all Documents](#)

### Product Features (Please use the Product Drawing for all design activity)

#### Product Type Features:

- [Cable Type](#) = FlexLite DW
- Color = Blue
- Cable Style = Primary
- Number of Conductors = 1

#### Electrical Characteristics:

- Number of Strands x AWG = 19 Strands x 27 AWG
- Voltage (VAC) = 600
- Resistance, Maximum ( $\Omega$ /1000 ft@68°F) = 10

#### Body Features:

- Conductor Type = Tin-Plated Copper
- Wire Type = Stranded
- Cable Diameter Range (mm [in]) = 2.39 - 2.59 [0.094 - 0.102]
- Nominal Weight (kg/km) = 21.88

#### Configuration Features:

- Conductor (Wire) Size = 14 AWG
- Conductor Diameter (mm [in]) = 1.68 [0.066]

#### Industry Standards:

- [RoHS/ELV Compliance](#) = RoHS compliant, ELV compliant
- [Lead Free Solder Processes](#) = Not relevant for lead free process
- RoHS/ELV Compliance History = Always was RoHS compliant

#### Conditions for Usage:

- Temperature Range (°C) = -45 - +125

#### Product Availability:

- Region = Americas, Asia/Pacific

#### Other:

- Brand = Raychem

### Corporate Information

[Who We Are](#)  
[Investors](#)  
[News Room](#)  
[Supplier Portal](#)  
[Careers](#)

### Quick Links

[Check Distributor Inventory](#)  
[Cross Reference](#)  
[Find Documents & Drawings](#)  
[Product Compliance Support Center](#)  
[Site Map](#)

### Customer Support

[Email or Chat With Us](#)  
[Find a Phone Number](#)  
[Search Knowledge Base](#)  
[Manage your Account](#)

### Keep Me Informed

Receive TE News, Events & Technology Updates

[>](#)

