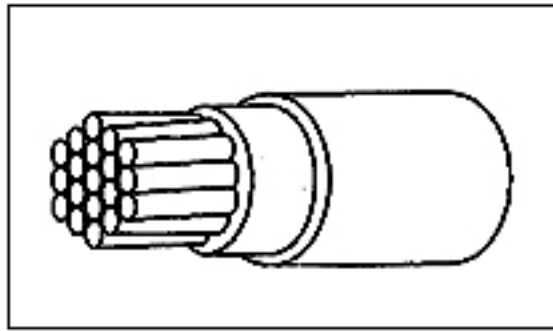




FLT0111-0.50-2 Product Details

[Share](#) [Print](#) [Email](#)


FLT0111-0.50-2

TE Internal Number: 2046713001

 [Active](#)

Commercial Wire

 [Always EU RoHS/ELV Compliant \(Statement of Compliance\)](#)

Product Highlights:

- Cable Type = FLT
- Conductor Type = Tin-Plated Copper
- Conductor (Wire) Size = .50mm²
- Temperature Range = -65 - 150 °C
- Color = Red

[View all Features](#)

Quick Links

- ▶ [Check Pricing & Availability](#)
- ▶ [Search for Tooling](#)
- ▶ [Product Feature Selector](#)
- ▶ [Contact Us About This Product](#)

[Add to My Part List](#)  [Request Sample](#)  [Find Similar Products](#)  [Buy Product](#)

Documentation & Additional Information

Product Drawings:

- [Customer Drawing](#) (PDF, English)

Catalog Pages/Data Sheets:

- None Available

Product Specifications:

- None Available

Application Specifications:

- None Available

Instruction Sheets:

- None Available

CAD Files:

- None Available

Related Products:

- [Tooling](#)

[List all Documents](#)

Product Features (Please use the Product Drawing for all design activity)

Product Type Features:

- [Cable Type](#) = FLT
- Color = Red
- Cable Style = Primary
- Number of Conductors = 1

Electrical Characteristics:

- Voltage (VAC) = 600
- Resistance, Maximum (Ω /1000 ft@68°F) = 40.1

Body Features:

- Conductor Type = Tin-Plated Copper
- Wire Type = Stranded
- Number of Strands x Diameter (mm [in]) = 19 x 0.19
- Cable Diameter Range (mm [in]) = 1.18 - 1.31 [0.047 - 0.051]
- Nominal Weight (kg/km) = 6.63

Configuration Features:

- Conductor (Wire) Size = .50mm²
- Conductor Diameter Range (mm [in]) = 0.82 - 0.90 [0.032 - 0.035]

Industry Standards:

- [RoHS/ELV Compliance](#) = RoHS compliant, ELV compliant
- [Lead Free Solder Processes](#) = Not relevant for lead free process
- RoHS/ELV Compliance History = Always was RoHS compliant

Conditions for Usage:

- Temperature Range (°C) = -65 - +150

Product Availability:

- Region = Europe

Other:

- Brand = Raychem

Corporate Information

[About TE](#)
[Investors](#)
[News Room](#)
[Supplier Portal](#)
[Careers](#)

Quick Links

[Check Distributor Inventory](#)
[Cross Reference Products](#)
[Find Documents & Drawings](#)
[Product Compliance Support Center](#)
[Site Map](#)

Customer Support

[Email or Chat With Us](#)
[Find a Phone Number](#)
[Search Knowledge Base](#)
[Manage Your Account](#)

Keep Me Informed

Receive TE News, Events & Technology Updates

[>](#)

