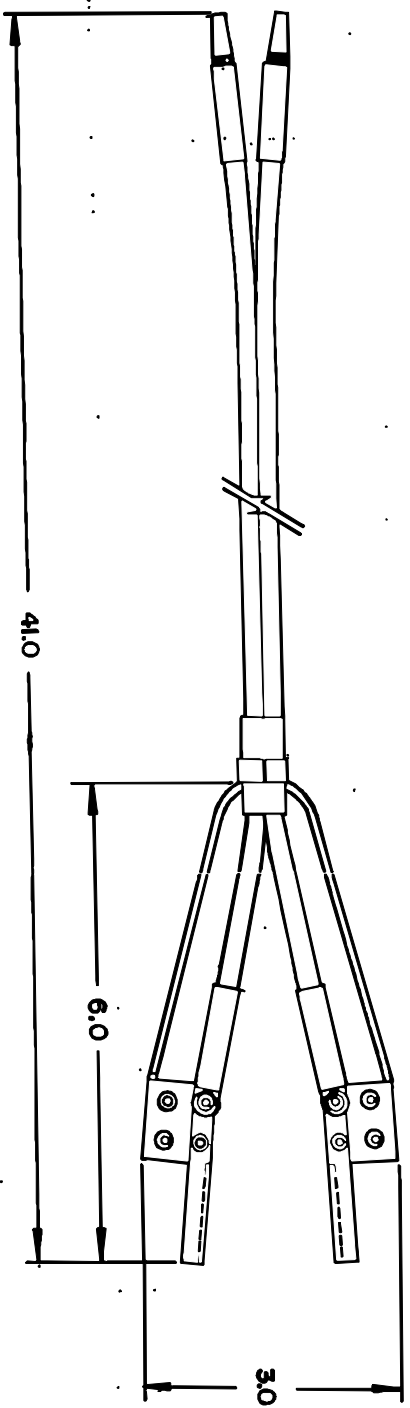


**NOTES:**

1. THIS TOOL IS USED TO INSTALL TINEL-LOCK RINGS, TRXXXI, BY DIRECT RESISTANCE HEATING.
2. THE TOOL IS DESIGNED TO BE USED IN CONJUNCTION WITH AMERICAN BEAUTY RESISTANCE SOLDERING POWER SUPPLY NO. 105-A12 TO BE ORDERED SEPARATELY FROM:  
AMERICAN BEAUTY  
610 CASS AVE  
DETROIT, MI 48202.
3. RAYCHEM HEATING TOOL PART NO. 915088-01.



REVISIONS		
LTR	DESCRIPTION	DATE

**SPECIFICATION CONTROL DRAWING** © Raychem Corporation 198

DRAWN	<i>N. Johnson</i>	8-1-85
CHECKED		
APPROVED		
APPROVED		

UNLESS OTHERWISE SPECIFIED  
DIMENSIONS ARE IN INCHES.  
METRIC DIMENSIONS ARE  
IN PARENTHESES

DO NOT SCALE THIS DRAWING

TITLE		SIZE	CODE IDENT. NO.	DWG. NO.
<b>TINEL-LOCK RING HEATING TOOL</b>		<b>B</b>	<b>06090</b>	<b>915088</b>

**Raychem**  
RAYCHEM CORPORATION  
300 CONSTITUTION DRIVE  
MENLO PARK, CALIFORNIA 94025

WEIGHT	SHEET 1 OF 1
--------	--------------

If this document is printed it becomes uncontrolled.  
Check with the web for latest revision.