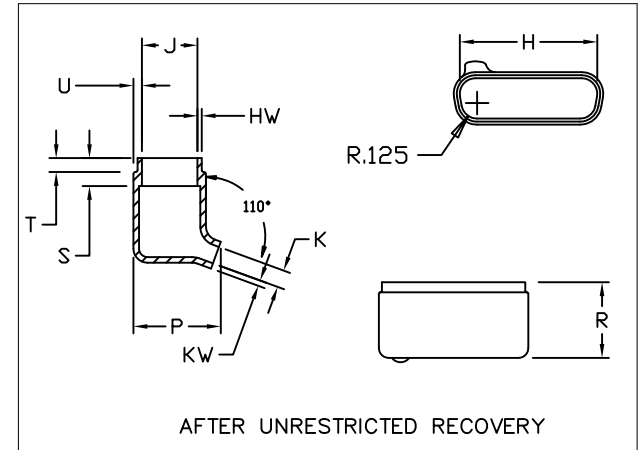
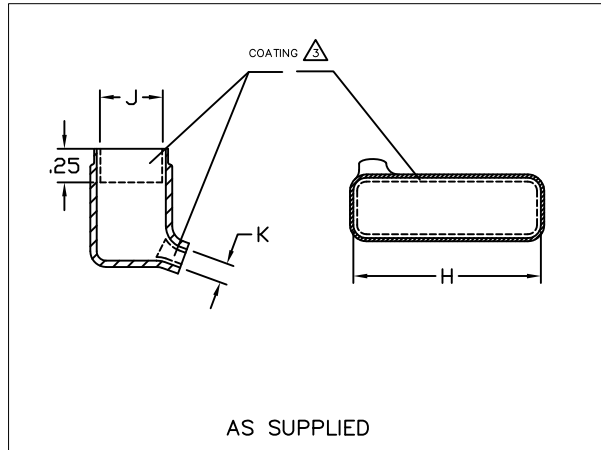


**NOTES**

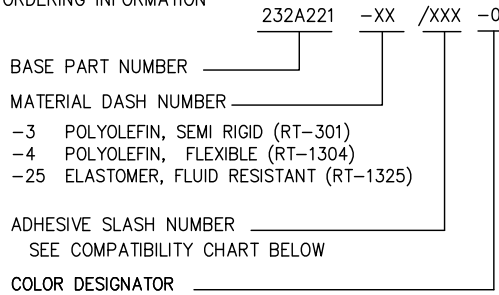
- ALL DIMENSIONS ARE IN  $\frac{\text{INCHES}}{[\text{MILLIMETERS}]}$
- DIMENSIONS APPEARING IN TABLE ARE AS FOLLOWS:
  - a - AS SUPPLIED
  - b - AFTER UNRESTRICTED RECOVERY

**3** COATING (ADHESIVE): IS OPTIONAL AS SUPPLIED DIMENSIONS APPEARING IN TABLE ARE FOR UNCOATED PARTS. WHEN COATING IS ADDED, ENTRY DIAMETER WILL BE REDUCED BY .06 MAX.



DIMENSIONING AND TOLERANCING PER ASME Y14.5M (ISO STANDARDS)		
REVISIONS		
LTR	DESCRIPTION	DATE
A	RELEASE PER ECO-13-009359	6/10/2013

**4. ORDERING INFORMATION**



**TABLE OF DIMENSIONS**

PART DESCRIPTION	H		J		K		P ±10% b	R ±10% b	S ±10% b	T ±10% b	U ±20% b	HW ±20% b	KW ±20% b
	MIN a	MAX b	MIN a	MAX b	MIN a	MAX b							
232A221	1.75 [41,6]	1.50 [38,1]	.62 [13,7]	.40 [10,1]	.25 [6,3]	.13 [3,3]	.63 [16,0]	.75 [19,0]	.20 [5,1]	.10 [2,5]	.06 [1,5]	.03 [0,76]	.04 [1,01]

**COMPATIBILITY CHART**

MATERIAL DASH NO.	ADHESIVE (COATING) SLASH NO.	ADHESIVE (COATING) S NO.
-3	/42; /86 /180	S-1017; S-1048; S-1030
-4	/42; /86 /180	S-1017; S-1048; S-1030
-25	/42; /86 /225	S-1017; S-1048; S-1206

UNLESS OTHERWISE SPECIFIED DIMENSIONS ARE INCHES. METRIC DIMENSIONS ARE IN BRACKETS.  
 DECIMAL TOLERANCES  
 .XXX ± 0.005 [0.13 mm]  
 .XX ± 0.01 [0.25 mm]  
 .X ± 0.1 [0.50 mm]  
 ANGLE TOLERANCE  
 .X ± 5 DEG.

DRAWN: MMAZARIEGOS  
 APPROVED: SGRAVANO  
 THIRD ANGLE PROJECTION

Raychem Molded Parts  
**CUSTOMER DRAWING**  
 TE Connectivity

TITLE: **BOOT, 110°**

SIZE: B CODE IDENT. NO. 06090 DWG. NO. **232A221**

© 2013 Tyco Electronics Corporation. All rights reserved. DO NOT SCALE THIS DRAWING SHEET 1 OF 1