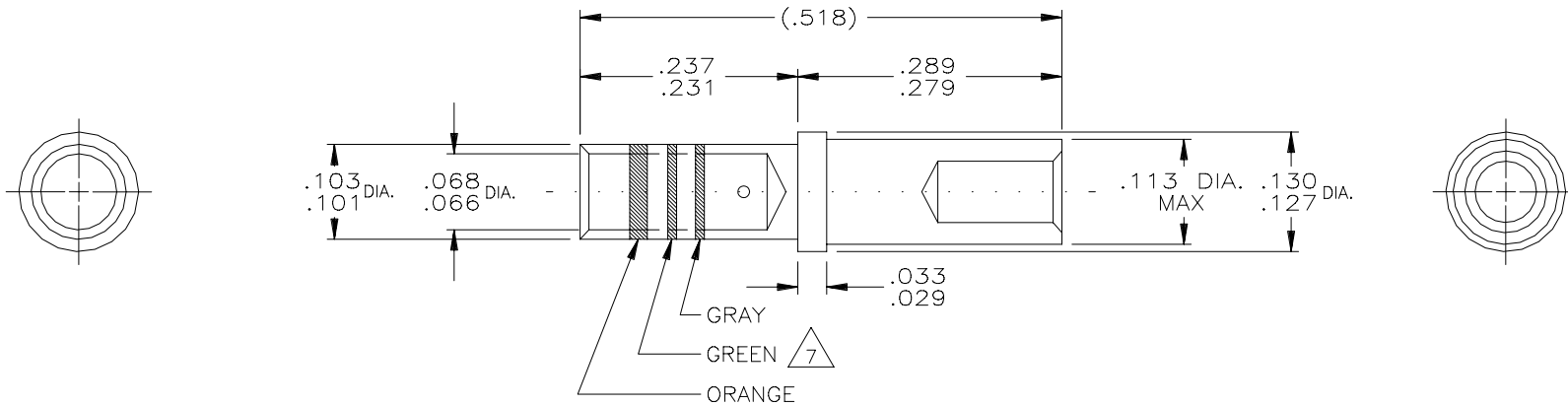


| REVISIONS | | | |
|-----------|--------------------------|--------|----------|
| LTR | DESCRIPTION | DATE | APPROVED |
| C | REVISED PER ECN T-012837 | 8-5-86 | J.B. |



NOTES:

- THIS CONTACT IS DESIGNED TO MEET ALL REQUIREMENTS OF MIL-C-39029/57, SIZE 16 (BIN CODE NO. 358).
- MINIMUM SEPERATION FORCE USING MS3197-16X1 TEST PIN, 2 OZ. MAXIMUM ENGAGEMENT FORCE USING MS3197-16Y1 TEST PIN, 30 OZ.
- DIMENSIONS SHOWN HEREON ARE FOR REFERENCE ONLY.
- RECOMMENDED WIRE STRIP LENGTH .210 - .250.
- CRIMP TOOL RECOMMENDATION:
 - A - TOOL NO. M22520/1-01
 - B - POSITIONER M22520/1

6. WEIGHT: .0008 LBS. (.363 GR) MAX.

7. PART IS MARKED WITH COLOR STRIPES AS SHOWN OR WITH THE BIN CODE NO. IN ACCORDANCE WITH MIL-C-39029.

**If this document is printed it becomes uncontrolled.
Check with the web for latest revision.**

SPECIFICATION CONTROL DRAWING © Raychem Corporation 1985

| | | | | | |
|---|--------------|------------------------|--|---|--|
| UNLESS OTHERWISE SPECIFIED DIMENSIONS ARE IN INCHES. METRIC DIMENSIONS ARE IN BRACKETS. | DRAWN | H | Raychem RAYCHEM CORPORATION 300 CONSTITUTION DRIVE MENLO PARK, CALIFORNIA 94025 | | |
| | CHECKED | J.B. | TITLE | | |
| | APPROVED | J.BLAIR | 1-24-85 | CONTACT, SOCKET, SIZE 16 MTCP SERIES | |
| | APPROVED | J.CAMERON | 2-11-85 | | |
| DECIMALS | .XXX ± [mm] | | CAD NAME 005199-1 | | |
| ANGLES | .X ± [mm] | | SIZE C CODE IDENT. NO. 06090 DWG. NO. CTA-0078 REV C | | |
| WEIGHT | 6 lbs [g] | THIRD ANGLE PROJECTION | DO NOT SCALE THIS DRAWING SHEET 1 OF 1 | | |

SHEET 1
CTA-0078