



RAYCHEM

TE Internal #: C829553001

Twisted Pair Cable, VG-95218, Operating Voltage 600 VAC, Tin-Plated Copper, .6 mm² Wire Size, Operating Temperature Range -55 – 105 °C

[View on TE.com >](#)

Wire & Cable > Twisted Pair Cable



Cable Type: **VG-95218**

Operating Voltage: **600 VAC**

Wire & Cable Insulation Material: **Halogen-Free Polymer**

Conductor Material: **Tin-Plated Copper**

Wire Size: **.6 mm²**

Features

Electrical Characteristics

Operating Voltage	600 VAC
-------------------	---------

Body Features

Wire & Cable Insulation Material	Halogen-Free Polymer
Conductor Material	Tin-Plated Copper

Dimensions

Wire Size	.6 mm ²
-----------	--------------------

Usage Conditions

Cable Type	VG-95218
Operating Temperature Range	-55 – 105 °C

Product Compliance

[For compliance documentation, visit the product page on TE.com>](#)

EU RoHS Directive 2011/65/EU	Compliant
EU ELV Directive 2000/53/EC	Compliant
China RoHS 2 Directive MIIT Order No 32, 2016	No Restricted Materials Above Threshold
EU REACH Regulation (EC) No. 1907/2006	Current ECHA Candidate List: JUNE 2023 (235)



Candidate List Declared Against: JUNE 2023 (235)
Does not contain REACH SVHC

Halogen Content	Out of Scope - excluded from Halogen requirements
Solder Process Capability	Not applicable for solder process capability

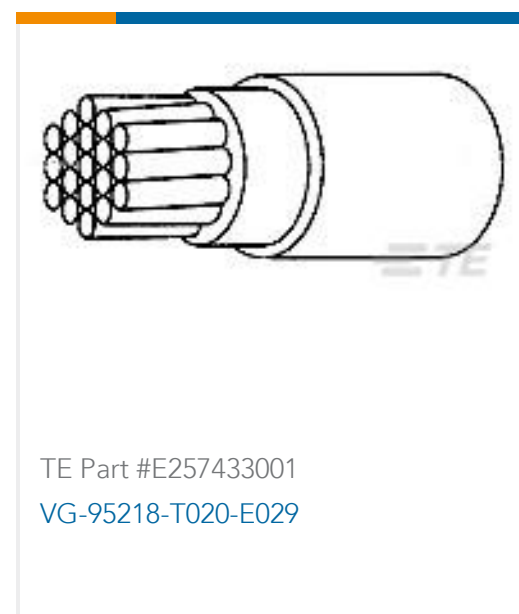
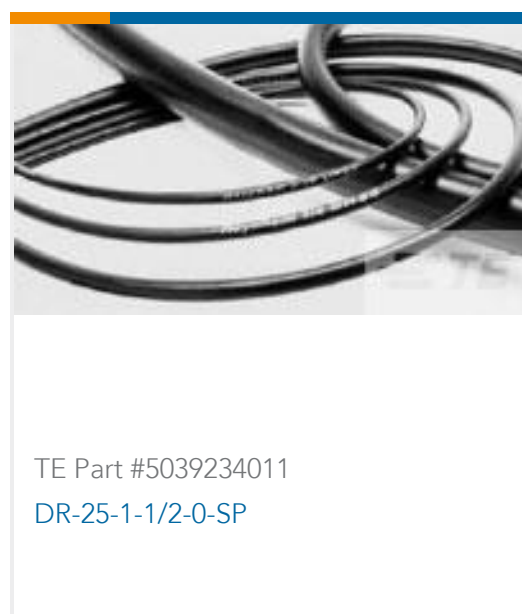
Product Compliance Disclaimer

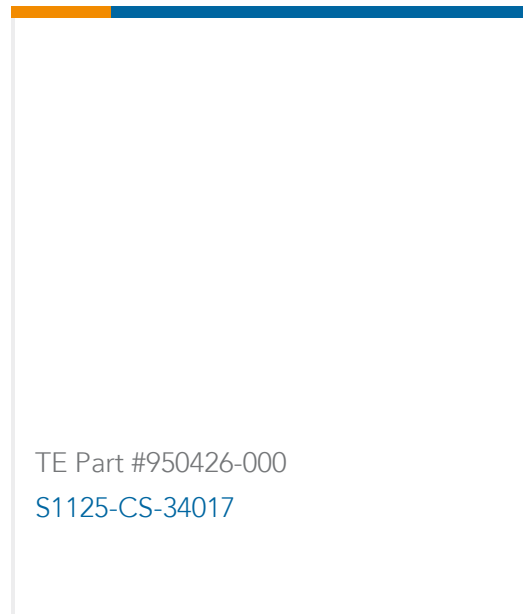
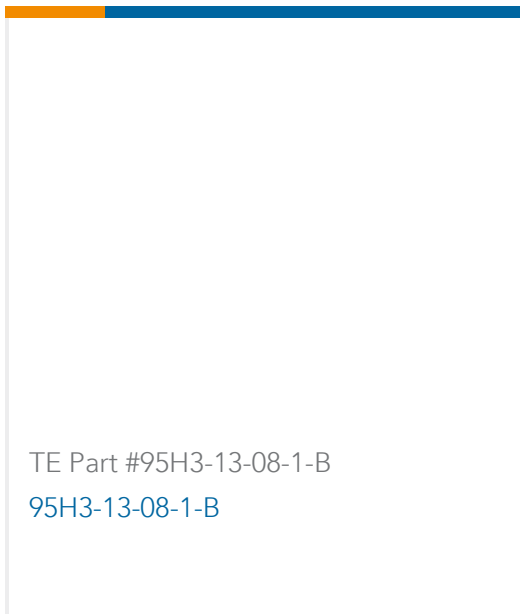
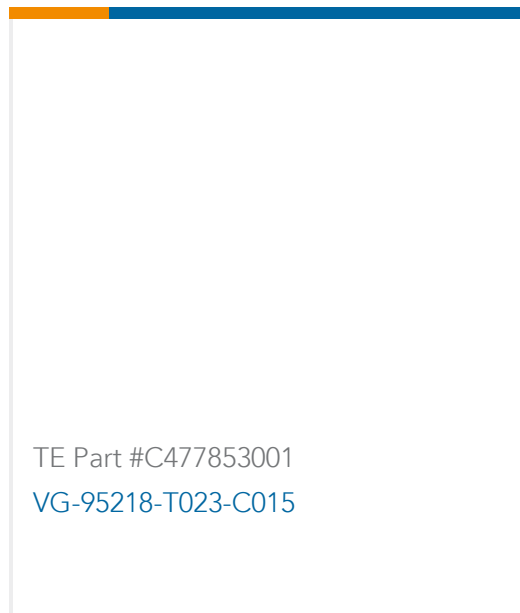
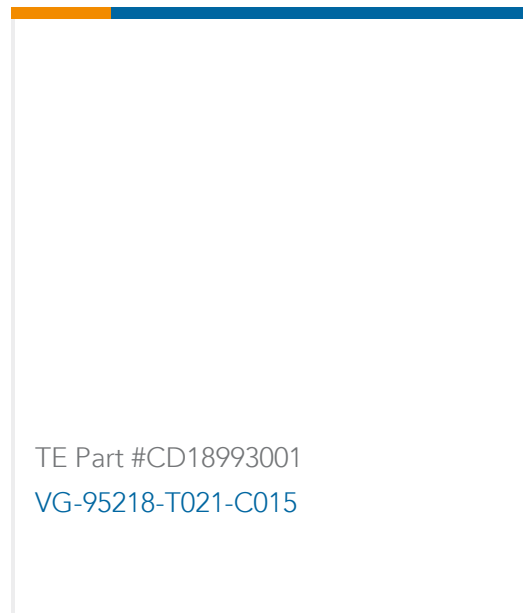
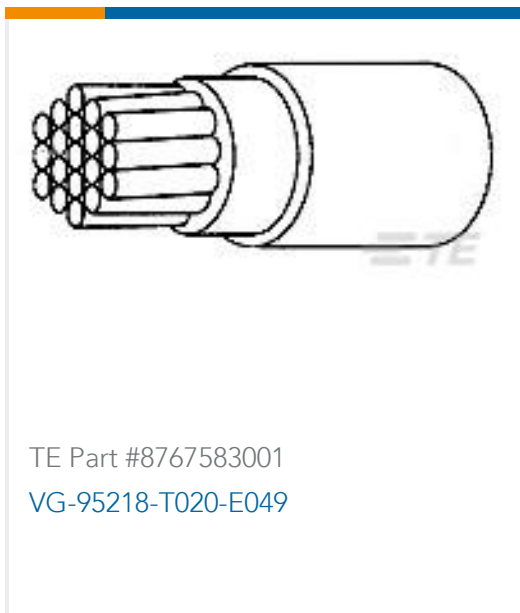
This information is provided based on reasonable inquiry of our suppliers and represents our current actual knowledge based on the information they provided. This information is subject to change. The part numbers that TE has identified as EU RoHS compliant have a maximum concentration of 0.1% by weight in homogenous materials for lead, hexavalent chromium, mercury, PBB, PBDE, DBP, BBP, DEHP, DIBP, and 0.01% for cadmium, or qualify for an exemption to these limits as defined in the Annexes of Directive 2011/65/EU (RoHS2). Finished electrical and electronic equipment products will be CE marked as required by Directive 2011/65/EU. Components may not be CE marked. Additionally, the part numbers that TE has identified as EU ELV compliant have a maximum concentration of 0.1% by weight in homogenous materials for lead, hexavalent chromium, and mercury, and 0.01% for cadmium, or qualify for an exemption to these limits as defined in the Annexes of Directive 2000/53/EC (ELV). Regarding the REACH Regulation, the information TE provides on SVHC in articles for this part number is based on the latest European Chemicals Agency (ECHA) 'Guidance on requirements for substances in articles' posted at this URL: <https://echa.europa.eu/guidance-documents/guidance-on-reach>

Compatible Parts



Customers Also Bought





Documents

Product Drawings

[VG-95218-T021-C004](#)

English

Datasheets & Catalog Pages

[Raychem Wire and Cable Quick Reference Guide](#)

English

[Solutions for Defense Applications Certified to VG Standards](#)

English