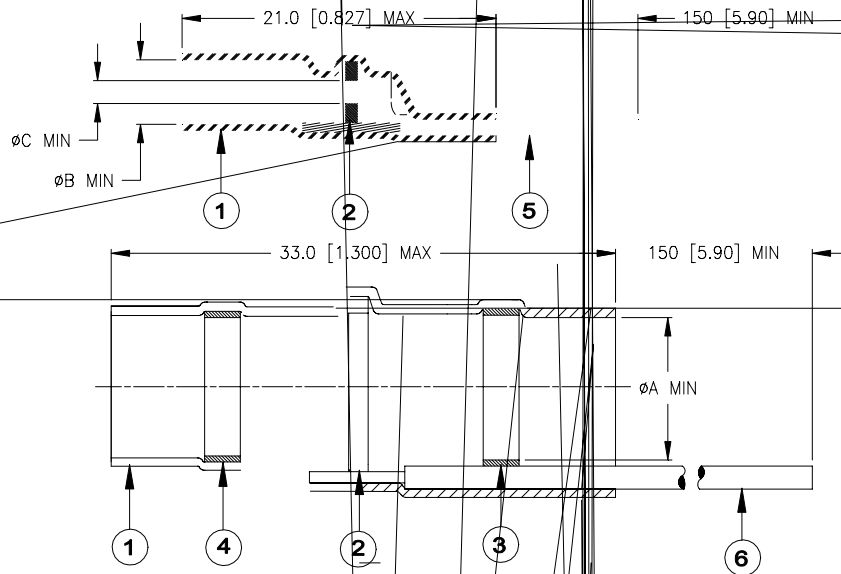


SPECIFICATION CONTROL DRAWING



Product Revision		Product Dimensions			Cable Dimensions	
Product Name		ϕA min	ϕB min	ϕC min	Typical Cable	ϕE min
B-155-4058-35-22-5/9	A	6.0 [0.235]	3.1 [0.120]	1.0 [0.040]	RG 58	3.3 [0.130]
B-155-4059-35-22-5/9	A	7.0 [0.275]	3.9 [0.155]		RG59	3.7 [0.145]
B-155-4174-35-22-5/9	A	4.5 [0.175]	1.7 [0.065]		RG174	2.3 [0.090]

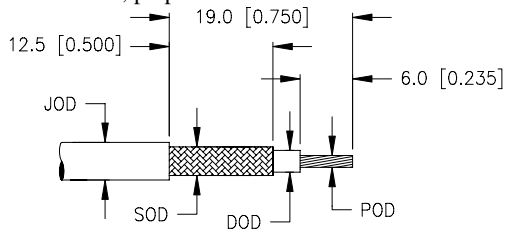
MATERIALS

- INSULATION SLEEVE: Heat-shrinkable, transparent clear, radiation cross-linked modified polyolefin.
- SOLDER PREFORM WITH FLUX:
 SOLDER: TYPE Sn42Bi58 per ANSI / J-STD-006.
 FLUX: TYPE ROM1 per ANSI / J-STD-004.
- MELTABLE RING: Thermally stabilized thermoplastic. Color: clear.
- MELTABLE RING: Thermally stabilized thermoplastic. Color: blue.
- CONDUCTOR LEAD: Cross-linked polyolefin insulated, stranded, tin-plated copper. Color: white.
- GROUND LEAD: Cross-linked polyolefin insulated, stranded, tin plated-copper. Color: green.

APPLICATION

- These parts are designed to provide an environment protected coaxial termination on cables, rated for at least +65°C minimum, meeting the dimensional criteria listed, having bare copper, tin or silver-plated shields and conductors.
- Temperature range: -55°C to +125°C.
- Install using Tyco Electronics approved convection heating tools in accordance with Tyco Electronics / Raychem installation procedure RPIP-824-00.

For best results, prepare the cable as shown:



Part selection:

- JOD: Cable jacket must be less than ϕA min.
- DOD: Cable dielectric must be less than ϕB min.
- SOD: Cable shield must be greater than ϕE min.
- POD: Conductor must be between ϕC min and 0.3 [0.012]

tyco Electronics		Tyco Electronics Corporation 300 Constitution Drive, Menlo Park, CA. 94025, U.S.A.		<i>Raychem</i>		TITLE: COAXIAL TERMINATION KIT RoHS COMPLIANT	
Unless otherwise specified dimensions are in millimeters. [Inches dimensions are shown in brackets]				DOCUMENT NO.: B-155-4XXX-35-22-5/9			
TOLERANCES: 0.00 N/A 0.0 N/A 0 N/A	ANGLES: N/A	Tyco Electronics reserves the right to amend this drawing at any time. Users should evaluate the suitability of the product for their application.		PROD. REV.: SEE TABLE	DOC. ISSUE: 1	DATE: 11-Aug-05	
PREPARED BY: mforonda	ROUGHNESS IN MICRON			DCR NUMBER: D050295	REPLACES: ---	CAGE CODE: 06090	SCALE: ---