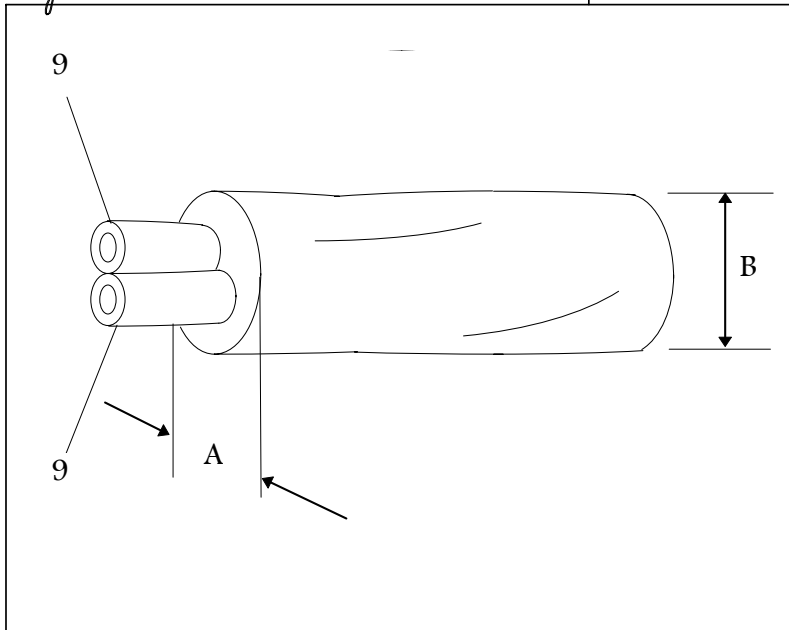


<i>Product Construction:</i> 2 Conductor Cable Jacketed	<i>Redrawn</i> 20/06/07	<i>Product Description</i> ASC 93477	<i>Issue C</i> ① <i>S' sedes</i> ②
---	----------------------------	--	---------------------------------------

<i>Designer</i> John Boshier	<i>Date</i> 20/06/07	<i>Product Manager</i> Mike Kinsella-Dunlop	<i>Date</i> 20/06/07	<i>Page 1</i> of 1
---------------------------------	-------------------------	--	-------------------------	-----------------------



Controlled Customer Copy
DIESEL INJECTION
UK

Specifications
Raychem WS1074

The copyright in this drawing is the property of Tyco Electronics UK Limited. The drawing is issued on condition it is not copied, reproduced or disclosed to a third party either in whole or in part without prior written consent of Tyco Electronics UK Limited.

<i>Layer Type / Operation</i>	<i>Component Details</i> <small>Part Numbers refer to issue in effect at date of issue of this EPD.</small>	<i>Nominal O.D.mm</i>	
Components: Wire ①	2 of 44E9083-20 Colours as above		
Cabling: Layer 1	2 of 44E9083-20 (Laid parallel)	A 1.30	B 2.60
Jacket: Pressure Extrusion 1	ADR - Black (Oxine-Cu & DBDPE - Free) ②	2.30 +/-0.1	3.70 +/-0.1
	① CR07-DP-230 Refers to Change JRB 11/06/07 ② CR07-DP-280 Refers to Change JRB 20/06/07		
<i>Maximum Surface Transfer Impedance</i>	<i>Notes</i> Strip force 10 N Min. - 120 N Max.	<i>Calculated nom. weight (Kg/Km)</i> 19	

Lengths: Unless otherwise specified on your order this cable may be supplied in the following maximum number of continuous lengths:

Order Quantity (m)
100 + One other length

Tyco Electronics UK Ltd
Faraday Road, Dorcan
Swindon SN3 5HH
Tel: (01793) 528171
Telex: 449409

Registration Number:
550926 London, England