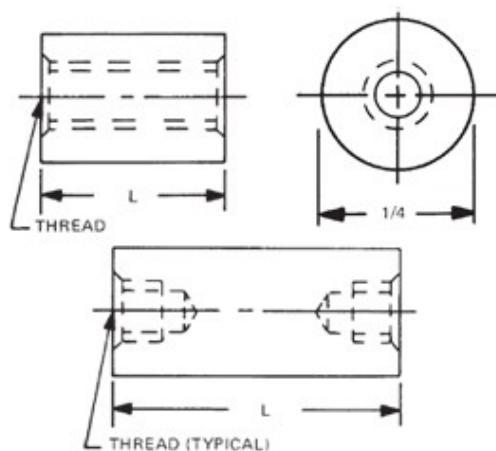




MW Industries, Inc.

Home > 1/4 Round Female Standoffs

## 1/4 ROUND FEMALE STANDOFFS



[Home](#) [Previous](#) [Next](#)  
[Related Metric](#)

xxxxx	xxx	xx	x
Length	Thread	Material	Finish

**PART: 1684 832 SS**

Red ?'s show missing selections. [Help](#)

- [Thread depth information](#)
- [Material Specifications](#)
- [Ordering non-standard items](#)
- [Download a Drawing](#)

**Add to Cart**

CALL NOW:  
203 888-2133



Qty1 \*

Qty2

Qty3

<input type="radio"/>	1682	3/8
<input type="radio"/>	1682T	13/32
<input type="radio"/>	1683	7/16

Thread \*

Select	Code	Thread
<input type="radio"/>	440	4-40



<input type="radio"/>	1683T	15/32
<input checked="" type="radio"/>	1684	1/2
<input type="radio"/>	1684T	17/32
<input type="radio"/>	1685	9/16
<input type="radio"/>	1685T	19/32
<input type="radio"/>	1686	5/8
<input type="radio"/>	1686T	21/32
<input type="radio"/>	1687	11/16
<input type="radio"/>	1687T	23/32
<input type="radio"/>	1688	3/4

Select	Code	Thread
<input type="radio"/>	632	6-32
<input checked="" type="radio"/>	832	8-32
<input type="radio"/>	1032	10-32

Material \*

Select	Code	Material	RoHS
<input type="radio"/>	AL	Aluminum	YES
<input type="radio"/>	B	Brass	YES
<input checked="" type="radio"/>	SS	Stainless Steel	YES
<input type="radio"/>	S	Steel	YES
<input type="radio"/>	N	Nylon	YES
<input type="radio"/>	PH	Phenolic	YES

Finish \*

<input checked="" type="radio"/>	Plain Finish
<input type="radio"/>	1-Cad clear chromate/commercial*
<input type="radio"/>	2-Cad clear chromate*
<input type="radio"/>	3-Cad yellow chromate*
<input type="radio"/>	4-Chrome over nickel
<input type="radio"/>	5-Nickel
<input type="radio"/>	6-Gold iridite*
<input type="radio"/>	7-Clear iridite
<input type="radio"/>	9-Alodine 1200*
<input type="radio"/>	10-Bright chrome
<input type="radio"/>	11-Satin chrome
<input type="radio"/>	12-Zinc

