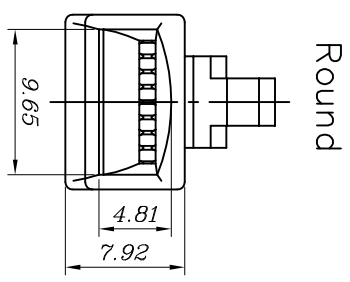
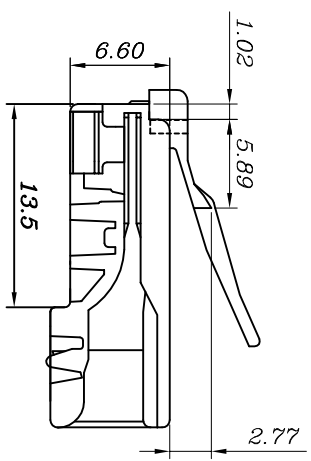
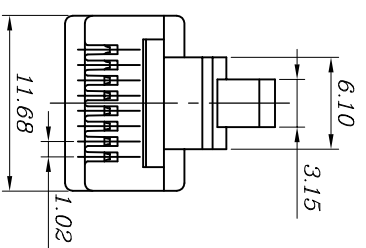
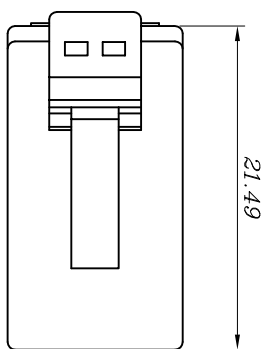
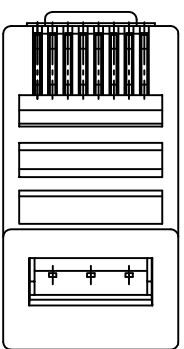


1 2 3 4 5 6 7



SPECIFICATIONS
1. ELECTRICAL:
 UL APPLICATIONS: 250 VOLTS AC MAX., AT 2 AMPS.
 DIELECTRIC WITHSTANDING VOLTAGE: 1000 VOLTS AC.
 INSULATION RESISTANCE: 100 M Ω.
 TERMINATION: RESISTANCE 20m Ω MAX AFTER ENVIRONMENTAL TESTING.
2. MECHANICAL:
 CABLE-TO-PLUG TENSILE STRENGTH: 19.6N/PCS MIN.
 DURABILITY: 200 MATING CYCLES.
3. MATERIAL & FINISH:
 HOUSING: POLYCARBONATE, UL94V-0 OR UL94V-2.
 COLOR: TRANSPARENT OR OTHER COLOR ARE AVAILABLE.
 CONTACT BLADE: COPPER ALLOY.
 CONDUCTOR: SOLID WIRE, 24AWG, 26 AWG.
 GOLD PLATING: 50μ".



| | |
|---------|---|
| BLADE: | B |
| Drawing | |
| Mark | |

| REV | DATE | MODIFICATION | DRAWN |
|-----|------------|--------------|-------|
| | 2013/09/05 | | |

QUEST
 Quest Technology International, Inc.
 11200 NW 138th St. Medley, FL 33178

| | | |
|--------------------------------------|--------------|------------------------|
| DIMENSION IN mm (Inch) | 材 质 MATERIAL | 图 号 DWG NO. |
| TOLERANCE UNLESS OTHERWISE SPECIFIED | PC | NMP-8215 |
| .X±0.20 | 名称 TITLE | 名称 规格 FOR ROUND CABLE. |
| .XX±0.10 | .XX°±2° | STANDARD WIRE |

| | | | | |
|-------------|------------|----------|----------|-----------|
| 审核 APPROVAL | 核对 CHECKED | 制图 DRAWN | 比例 SCALE | 张数 SHEETS |
| | | Cathyli | 2/1 | 1/1 |

1 2 3 4 5 6 7

ST-DR-009A