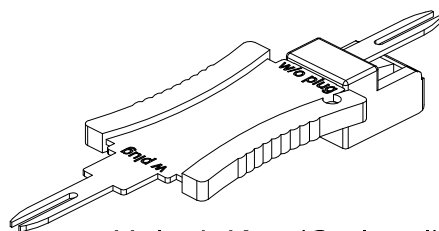
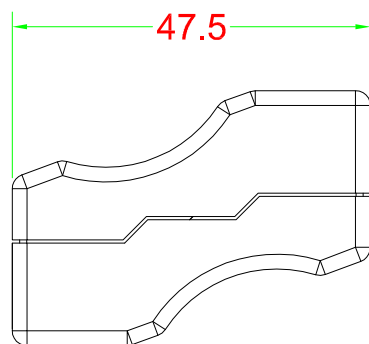
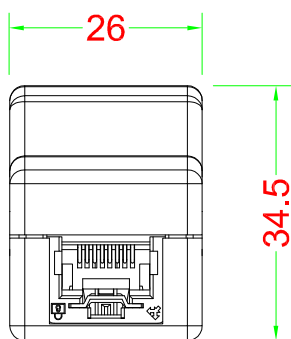
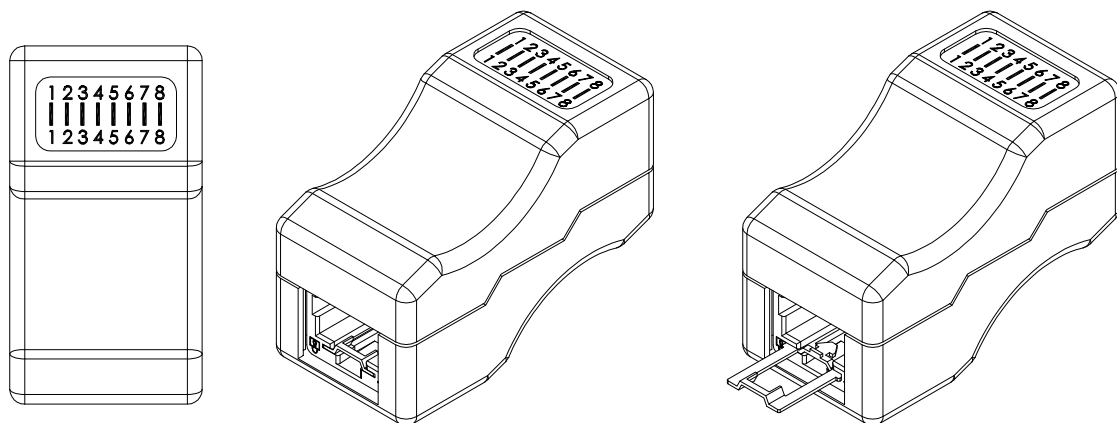


# C6 INLINE COUPLER UTP



Unlock Key (Optional)

## Performance:

Meets C6 EIA/TIA 568B Standard.

## Materials:

Body : Fireproof ABS UL-94V0  
 Jack : 8P8C 50 micro inches gold plated  
 PCB : FR-4 / UL-94V0  
 Lock Bar : Metal (SPCC)  
 Spring : SUS  
 Spring Base : fireproof UL-94V2-PC  
 Heat Shrinkable Tube : PVC  
 Key : Metal (SPCC) & PVC Molding

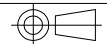
## Electrical Specifications:

Insulation Resistance : 500M ohms (min.)  
 Contact Resistance : 20m ohms (max.)  
 Current Rating : 1.5 Amps .  
 DC Resistance : 0.1 ohm (max.)  
 Withstanding Voltage : 1000 VAC RMS @ 60Hz / 1 min.

## Mechanical Specifications:

Jack Insertion Cycle : Over 2000 Cycles (min.)  
 Lock Bar Tension : 15 kgs (min.)

Operation Temperature : -40 °C ~ +70 °C

DRAW NO:		ITEM NO:	NLJ-6008
 APPR		CUSTOMER:	
UNIT: m/m	DESIGN	DATE:	
SCALE:	Ref. NO:	TOLERANCE:	· ± 1 · X ± 0.2 · XX ± 0.15



Quest Technology International, Inc.  
 11200NW 138th Street Medley, FL33178