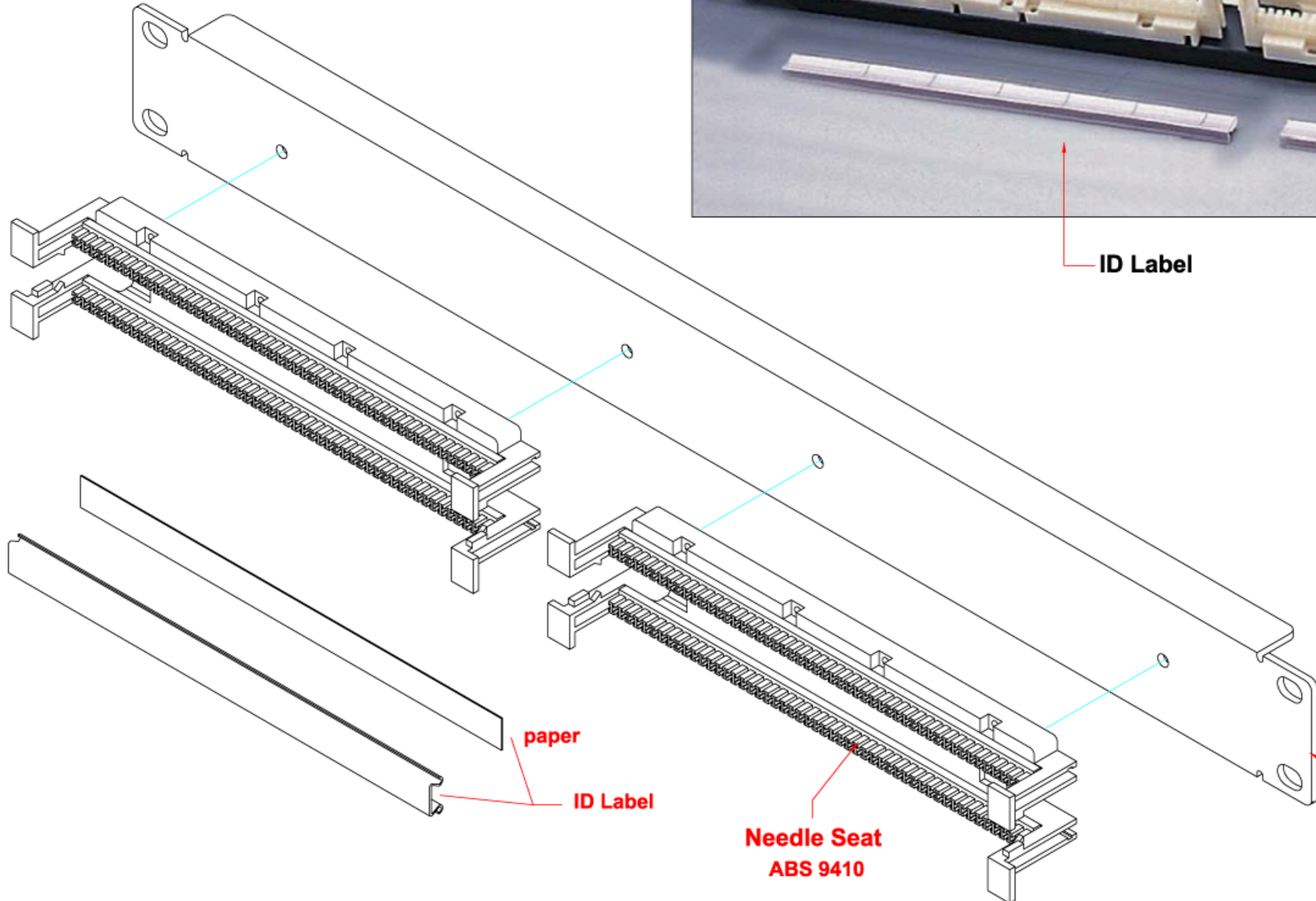
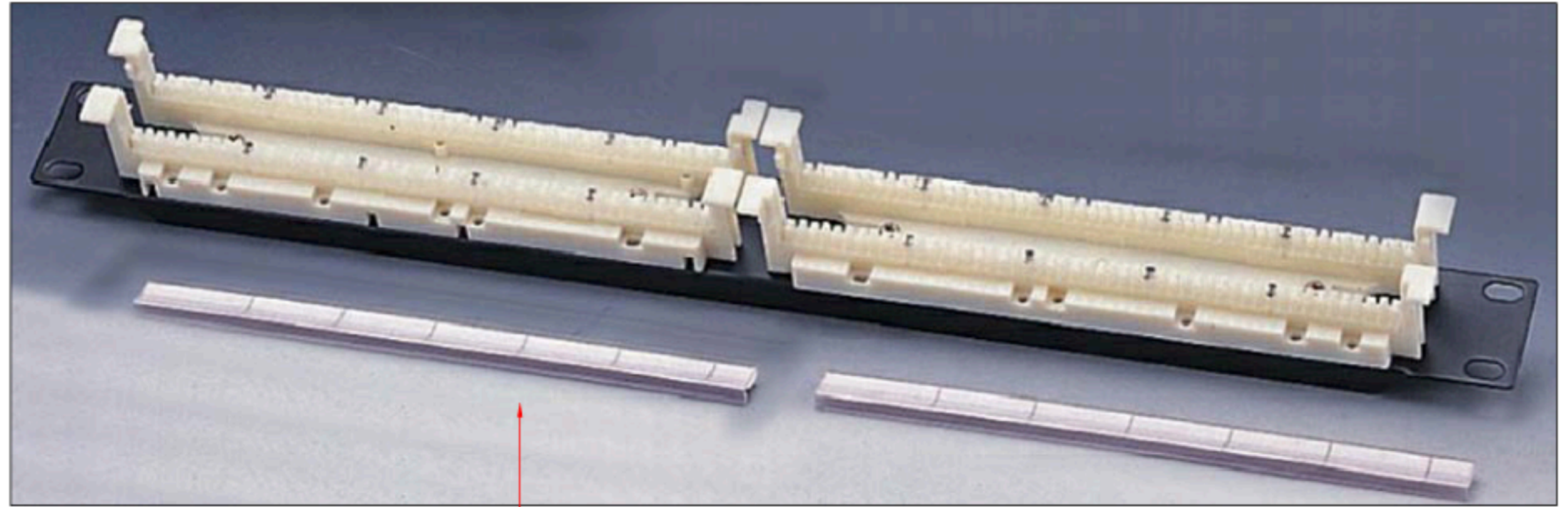


RevNo	Revision note	Rev-By	RevDate	Signature	Checked

110 TERMINAL 19" PATCH PANEL

ITEM NO: NCP-100



ID Label

NOTE:

- 100 Pair wiring block
- 19" x 1U Height (482 x 44mm)
- 110 Block is option

paper

ID Label

Needle Seat
ABS 9410

Metal Panel

ITEM NO.	NCP-100				
CUSTOMER NO.					
DESIGNED BY	DATE	081205	UNIT	MM	
ALEX	SCALE	xx	VER.	1	
NO.	Checked by				
APPR:	Approved by	-date			

