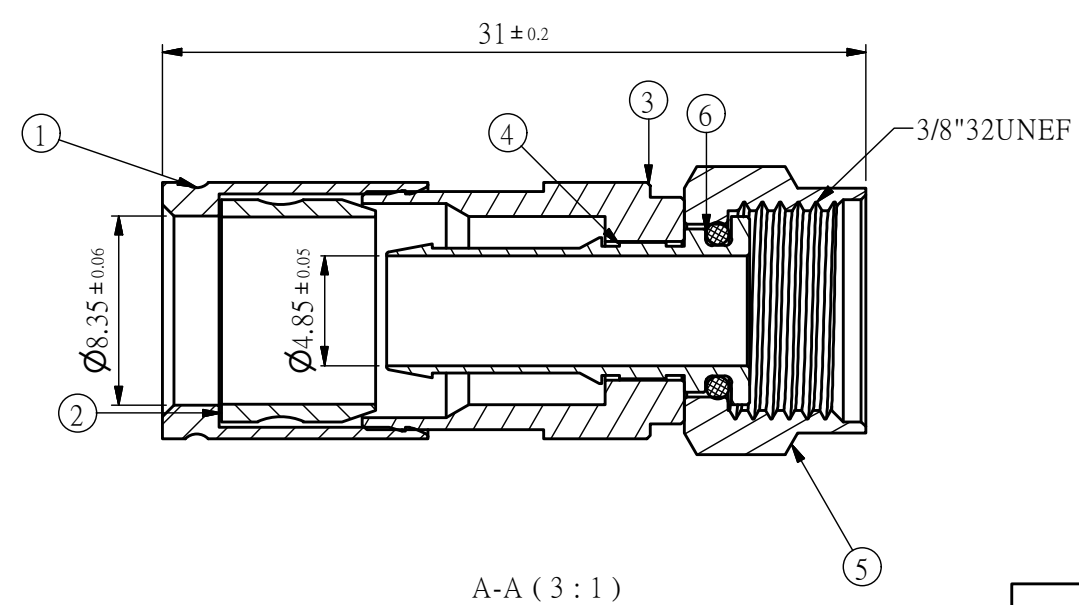
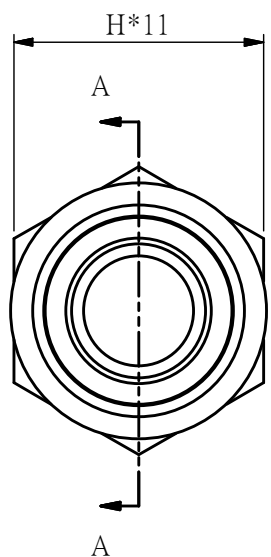
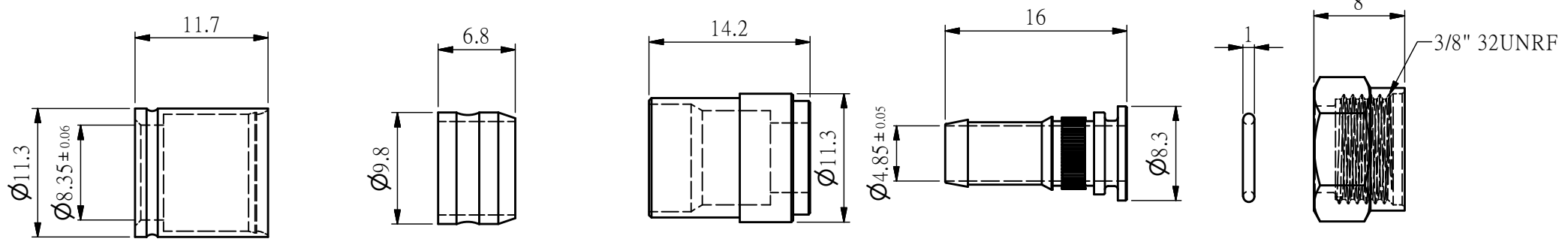



REV.	ECN.	APPROVED	DATE
			2014/8/4



1	1	PBI-RG6-4	Brass	Nickel-plated
2	1	PBI-RG6-PE	PE	
3	1	PBI-RG6-3	POM	Black
4	1	PBI-RG6-2	Brass	Nickel-plated
5	1	PBI-RG6-1	Brass	Nickel-plated
6	1	5*10	NBR	Black

ITEM	MATERIAL	P/N	SPECIFICATION	UNIT	QTY
------	----------	-----	---------------	------	-----

 Quest Technology Int'l, Inc. 11200 NW 138th St., Medley, FL 33178 Tel: 305-513-8583 Fax: 305-515-8676 www.QuestTechnologyIntl.com				
TITLE		COM-1406	SCALE	UNIT
DWG.NO :		F803/PBI/RG6	SIZE	
			A4	
Drawn	Checked	Approved		