



UL-5

UL LISTED

Fire Protective Signaling Device with an 8" O.D. Loudspeaker, 5W-70V Transformer, Line Supervision Capacitor

GENERAL DESCRIPTION

The **UL-5** is a complete UL Listed, fire-protective signaling device with an 8C10PAFR - 8" O.D. loudspeaker, 10 oz. magnet, fire retardant components, a 5W-70V jumper select transformer, line supervision capacitor, and a BR8W - round, screw-mount baffle in a white powder coat finish. An ERD-8 - 275 CID, round, steel back box with a white powder coat finish is included.

INTENDED USE - Indoor Environment

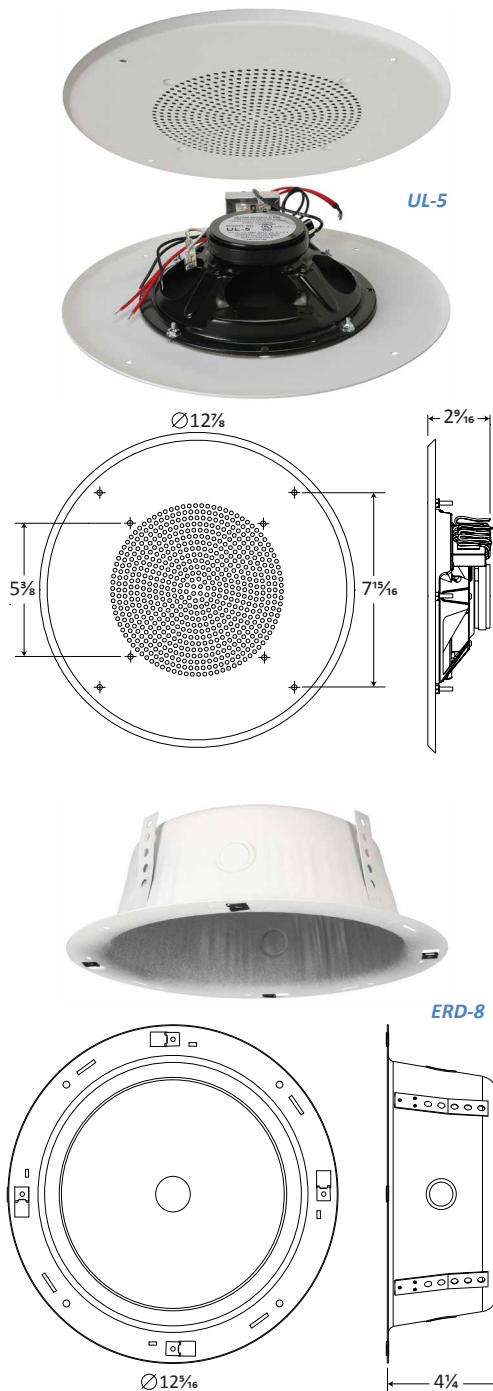
Program Material	Signal tones, voice, and music
UL LISTED 1480	As a Fire Protective Signaling Device - When installed with supplied installation instructions and requirements of NEC /AHJ. (UEAY, UEAY7- Canada)
UL LISTED 2043 (ERD-8)	Suitable for use in air-handling spaces

AUDIO SPECIFICATIONS

Sound Pressure dB-SPL @10 ft. per Tap	1/4=78.5, 1/2=81.3, 1=84.1, 2=87.2, 4=89.8
Insertion Loss	.75 dB
Loudspeaker Power Rating	20W RMS, EIA 426A Standard
Magnet Type & Weight	BeFe Ceramic, 10 oz. Nominal
Frequency Response	60 Hz - 17 kHz EIA 426A Standard
Nominal Coverage Angle	100° Included Angle, -6 dB / 2 kHz, Half space
Audio Connection	Common : Dual, BLACK Leads Taps : Dual, RED leads with field-selectable, push-on connectors

SYSTEM COMPONENTS

Loudspeaker	8C10PAFR
Transformer	5W-70V : 5 tap, Jumper Select (5W, 2.5W, 1.25W, 0.63W, 0.31W)
Baffle	BR8W
Enclosure	ERD-8



Recommended construction sequences, installation instructions, and A&E Specifications are available in various formats in the QUAM Architects' and Engineers' Resources section on the web at: www.QuamSpeakers.com	SIGNALING TYPE F,G LISTED 9TH1				QUAM-NICHOLS COMPANY, INC. 234 East Marquette Rd. Chicago, IL. 60637 Tel: 1-800-NEED-NOW (800-633-3669) Fax: 1-888-NEED-NOW (888-633-3669) e-mail: NeedNow@QNC.com www.QuamSpeakers.com
	© 2013 Quam-Nichols Company reserves the right to make changes and/or improvements to its products at any time and without notice.				