



**UL22/25**

**TILE REPLACEMENT**

**2' x 2' UL Listed Fire Signaling Device with an 8" Speaker and a 4W-25V Transformer**

**GENERAL DESCRIPTION**

The **UL22/25** is a complete UL Listed, shallow depth, lightweight, tile replacement, fire-protective signaling device with an 8C10PAFR - 8" O.D. loudspeaker, 10 oz. magnet, fire retardant components and a 4W-25V rotary select transformer. Integral enclosure is 1,412 CID molded fiber. Grille is perforated steel with four (4) seismic tie-off points in a white powder coat finish. Line supervision capacitor is included. No assembly required.

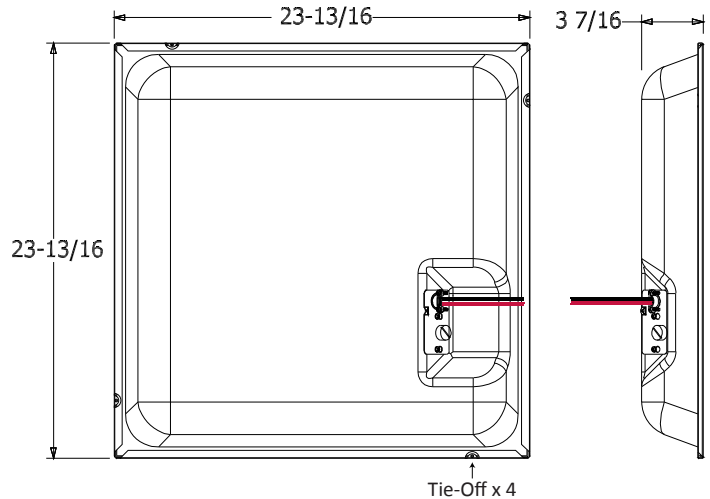


**INTENDED USE - Indoor Environment**

<b>Program Material</b>	Signal tones, voice, and music
<b>UL LISTED 1480</b>	As a Fire Protective Signaling Device - When installed with supplied installation instructions and requirements of NEC /AHJ. (UEAY, UEAY7- Canada)
<b>UL LISTED 2043</b>	Suitable for use in air-handling spaces
<b>Installation</b>	Mounted parallel to floor plane in a 24" wide suspended ceiling tile grid.

**AUDIO SPECIFICATIONS**

<b>Sound Pressure dB-SPL @ 10 ft. per Tap</b>	1/4=78.7, 1/2=80.7, 1=81.5, 2=84.3, 4=87.4
<b>Loudspeaker Power Rating</b>	20W RMS, EIA 426A Standard
<b>Magnet Type &amp; Weight</b>	BeFe Ceramic, 10 oz. Nominal
<b>Frequency Response</b>	60 Hz - 17 kHz EIA 426A Standard
<b>Nominal Coverage Angle</b>	100° Included Angle, -6 dB / 2 kHz, Half space
<b>Audio Connection</b>	Common : Dual, Color-Coded Leads



**SYSTEM COMPONENTS**

<b>Loudspeaker</b>	8C10PAFR
<b>Transformer</b>	4W-25V : 5 tap, Rotary Select (4W, 2W, 1W, 0.50W, 0.25W)

Recommended construction sequences, installation instructions, and A&E Specifications are available in various formats in the QUAM Architects' and Engineers' Resources section on the web at: <a href="http://www.QuamSpeakers.com">www.QuamSpeakers.com</a>					QUAM-NICHOLS COMPANY, INC. 234 East Marquette Rd. Chicago, IL. 60637 Tel: 1-800-NEED-NOW (800-633-3669) Fax: 1-888-NEED-NOW (888-633-3669) e-mail: NeedNow@QNC.com <a href="http://www.QuamSpeakers.com">www.QuamSpeakers.com</a>
					© 2013 Quam-Nichols Company reserves the right to make changes and/or improvements to its products at any time and without notice.