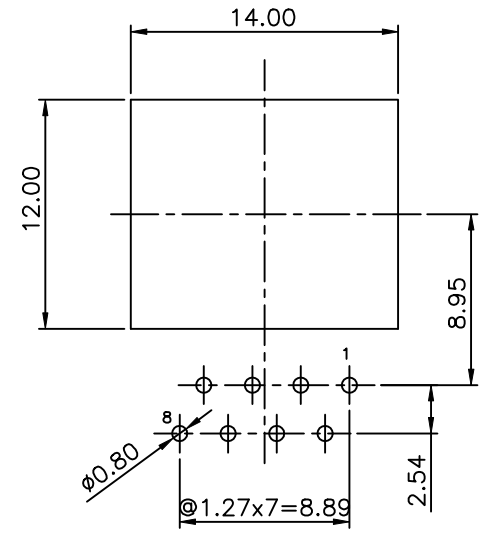
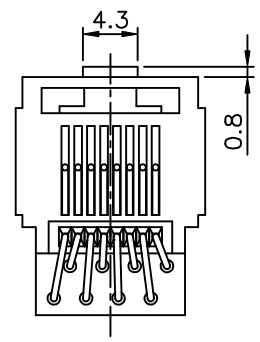
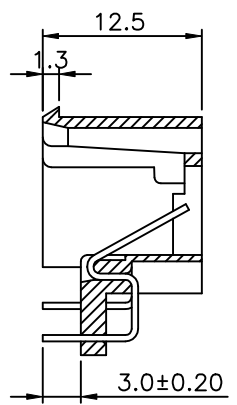
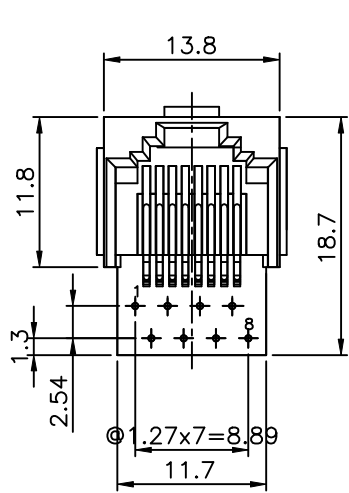


REVISION RECORD				
REV	ECO	DESCRIPTION	DRFT	CHKD



NOTES:

- ELECTRICAL;
- VOLTAGE RATING : 125 VAC RMS.
 - CURRENT RATING : 1.5 AMP.
 - CONTACT RESISTANCE : 30 MILLIOHMS MAX.
 - INSULATION RESISTANCE : 1000 MEGOHMS MIN @ 500 VDC.
 - DIELECTRIC STRENGTH : 1000 VAC RMS 60Hz, 1MIN.
- MECHANICAL:
- HOUSING MATERIAL : GLASS FILLED POLYESTER UL94V-0.
 - CONTACT MATERIAL : PHOSPHOR BRONZE Ø0.46mm.
 - PLATING : GOLD PLATING OVER NICKEL.
 - OPERATING LIFE : 750 CYCLES MIN.
 - PCB RETENTION PRE-SOLDER : 1 LB MIN.
 - PCB RETENTION POST-SOLDER : 10 LBS MIN.
- ENVIRONMENTAL:
- STORAGE : -40°C TO +85°C.
 - OPERATION : 0°C TO 70°C.
 - WAVE SOLDERING TEMPERATURE: 230°C TO 250°C 3-5SECONDD.
- MATES WITH MODULAR PLUG CONFORMING TO FCC PART 68, SUBPART F.
- PART NUMBER: E528X-S00XKX-L

- | | |
|-------|-----------------|
| 2- 2C | 1- 3u" 2- 6u" |
| 4- 4C | 3-15u" 4-30u" |
| 6- 6C | 5-50u" 6-Pd20u" |
| 8- 8C | |
| | 0- A06-0100 BK. |
| | 4- A06-0110 GY. |

PC Board Layout Component Side Shown

DETACHED LISTS	MM (INCH)		DFTO ANKUE	DATE 05/19/05'	FULL RISE ELECTRONIC CO., LTD	
	TOLERANCES EXCEPT AS NOTED		CHKD SAMMY	DATE 2005/5/20		
	MM	±	MFO	DATE	TITLE BOTTOM ENTRY PCB JACK 8P	
	.0 ±0.20	±	APPVLLUSHENG	DATE 2005/5/20		
	.00 ±0.15	±	MATERIAL :	QT'Y :	DRAWING NO. GE523A27-LC	SIZE A3
.000 ±0.075	±	FINISH :	SCALE : 1.25:1	/PART NO. SEE NOTE	REV 5/19/05'	OF
ANGLES ±		THIRD ANGLE PROJECTION	DO NOT SCALE DRAWING	SHEET	OF	