



AK2200/..-5.0-V-GREEN

1- to n-poles

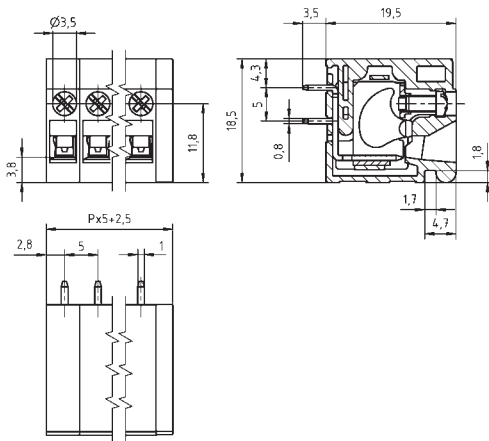
Technical Data

Wire Sizes		Insulating Material	
Solid min	0.2 mm ²	Material	PA 6.6
Solid max	4.0 mm ²	Flammability Class	UL 94 V-0
Stranded (flexible) min		Temperatures	
Stranded (flexible) max	2.5 mm ²	Operating Temperature	-30 °C - 105 °C
Stranded with Ferrule min		Wave Soldering Process	
Stranded with Ferrule max	2.5 mm ²	Soldering Temperature, recommended	265 °C
Dimensions		Peak Soldering Time, recommended	3 s / 10 s
Stripped Length	9.0 mm	Reflow Process	
PCB Hole Diameter	1.3 mm	Soldering Temperature, recommended	-
Materials		Peak Soldering Time, recommended	-
Screw	Steel		
Solder Tag	Copper Alloy		
Clamp Cage	Steel		
Excenter	Steel		

Colours

- GREEN, RAL 6018
- BLACK, RAL 9011
- LIGHT GREEN, similar RAL 6018


Colours according to RAL, there may be variations on colour due to production conditions. Special colours on request.



Order Data (Spacing 5.0 mm)

Poles	Width (mm)	Article Designation	Article Number	PU
1	7.50	AK2200/1-5.0-V-GREEN	52200010001E	100
2	12.50	AK2200/2-5.0-V-GREEN	52200020001D	50
3	17.50	AK2200/3-5.0-V-GREEN	52200030001D	50
4	22.50	AK2200/4-5.0-V-GREEN	52200040001D	50
5	27.50	AK2200/5-5.0-V-GREEN	52200050001D	50
6	32.50	AK2200/6-5.0-V-GREEN	52200060001D	50
7	37.50	AK2200/7-5.0-V-GREEN	52200070001D	50
8	42.50	AK2200/8-5.0-V-GREEN	52200080001D	50
9	47.50	AK2200/9-5.0-V-GREEN	52200090001D	50
10	52.50	AK2200/10-5.0-V-GREEN	52200100001D	50
11	57.50	AK2200/11-5.0-V-GREEN	52200110001D	50
12	62.50	AK2200/12-5.0-V-GREEN	52200120001D	50

Accessories

Figure	Designation	Article Number
	Spacer SPC-AK2200-GREEN	52200000002

See pages 282 ff for detail and general accessories and see pages 12/13 concerning services.

Ratings

Usegroup	c ALUS			VDE	
	B	C	D	250 V	
Rated Voltage	300 V	150 V	300 V	250 V	
Rated Current	20 A	20 A	10 A	24 A	
Rated Wire Size				min	max
	solid	AWG 30-12	AWG 30-12	AWG 30-12	0.5 mm ² / 2.5 mm ²
	stranded	AWG 30-12	AWG 30-12	AWG 30-12	0.5 mm ² / 2.5 mm ²
Torque	0.50 Nm		0.50 Nm	0.50 Nm	
Screw Size	M2.5		M2.5	M2.5	
Test Voltage	1.6 kV		1.3 kV	1.6 kV / 2.0 kV	