

6

5

4

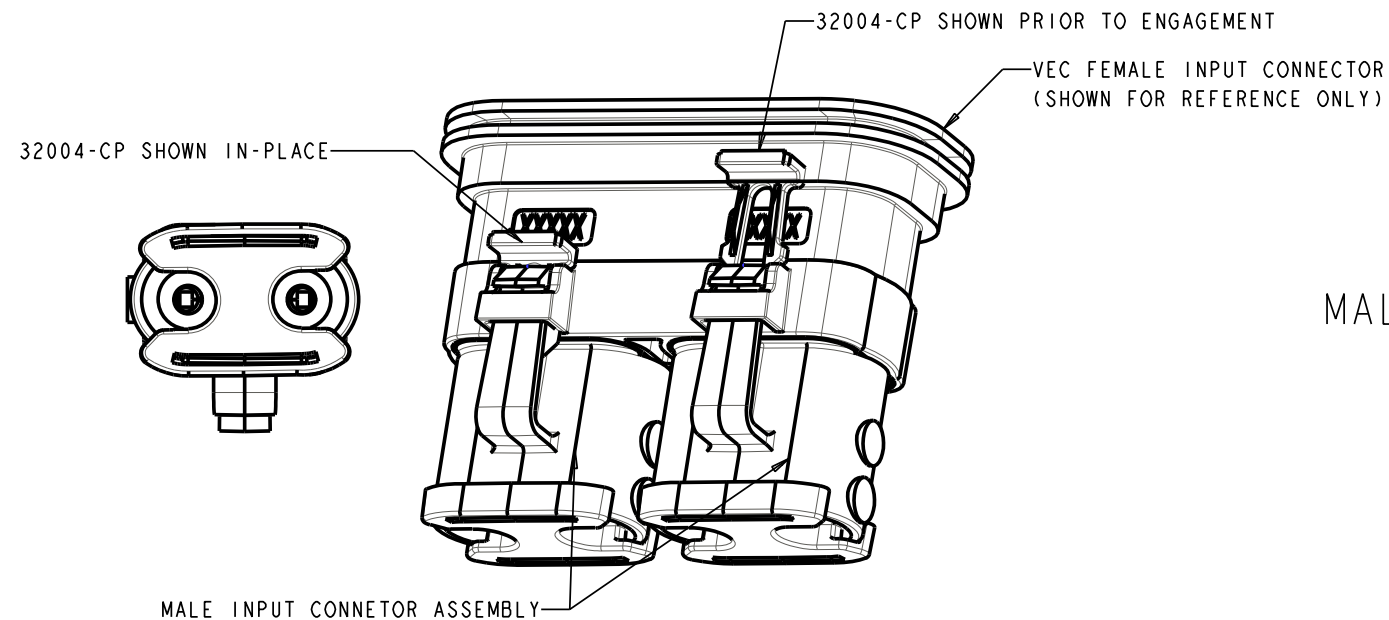
3

2

1

CONFIDENTIAL -
 The Information contained in this document is the property of Cooper Industries, Inc. It is not for public disclosure. Possession of the Information does not convey any right to loan, sell, or disclose the Information. Unauthorized reproduction or use of the Information is Prohibited. This document is to be returned to Cooper Industries, Inc. upon completion of the purpose for which it is loaned or upon request.

COPYRIGHT - Cooper Industries, Inc.
 This is an unpublished work. The disclosure of this work is limited to a select personnel. Further dissemination or disclosure to the public is PROHIBITED. This unpublished work is protected by Federal Copyright Law and all rights thereunder are reserved by Cooper Industries, Inc.



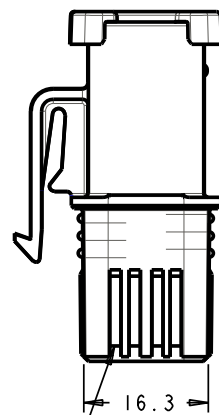
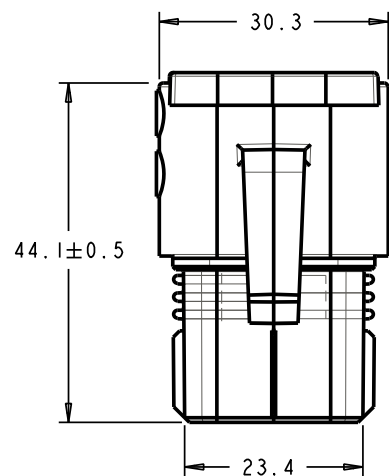
MALE INPUT CONNECTOR HOUSING
 32004-XX

SEALED / NON-SEALED CONFIGURATION
 1 = FOR NON-SEALED VERSION
 2 = FOR SEALED VERSION (SEAL IS ASSEMBLED ONTO CONNECTOR)

COLOR OF PART
 A = BLACK F = RED
 B = GRAY G = ORANGE
 E = YELLOW H = BROWN

TERMINAL POSITION ASSURANCE (TPA)
 32004-TPX

CONNECTOR POSITION ASSURANCE (CPA)
 32004-CP (SHIP IN BULK)



CONNECTOR POLARIZER
 (CONSULT FACTORY FOR DETAILS)

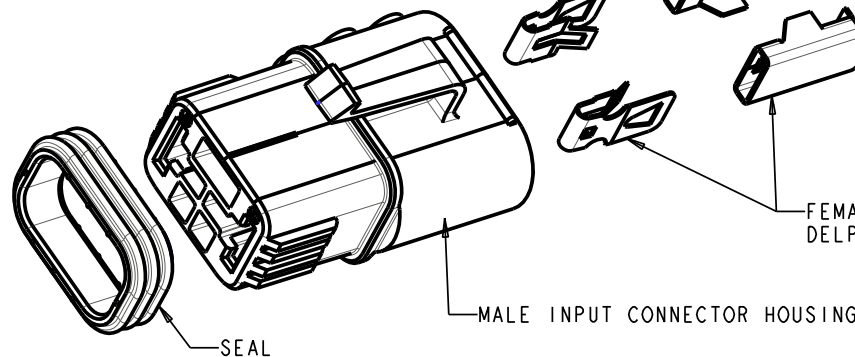
32004-TP2

32004-TP1

TERMINAL POSITION ASSURANCE (TPA)
 (BOTH VERSIONS SHOWN FOR REFERENCE ONLY)
 32004-TPX

CABLE SEAL
 DELPHI PACKARD #12129381
 OR #15324998

FEMALE TERMINAL
 DELPHI PACKARD METRI-PACK 800 SERIES



COOPER Bussmann
 St. Louis, MO

TOLERANCES UNLESS OTHERWISE SPECIFIED	
METRIC (mm)	ENGLISH (in)
1 PL DEC: ± .25	2 PL DEC: ± .01
2 PL DEC: ± .13	3 PL DEC: ± .005

THIRD ANGLE PROJECTION
ANGULAR TOL: ± 2°
FRACTION TOL: ± 1/64 IN

Plant Code: J
 Design Units
 Metric

For change history please consult the Bussmann Engineering Change Notice number listed below.
 BU-N13056

Title: MALE INPUT CONNECTOR ASSY.
 Sheet 1 of 1 Scale: 1:1 Revision: Version 6.0+

Date: 31-Oct-03 Created By: C. Alfaro
 Part Number: 32004-SALES
 Ref. Name: 32004-SALES.BUTLER

6

5

4

3

2

1