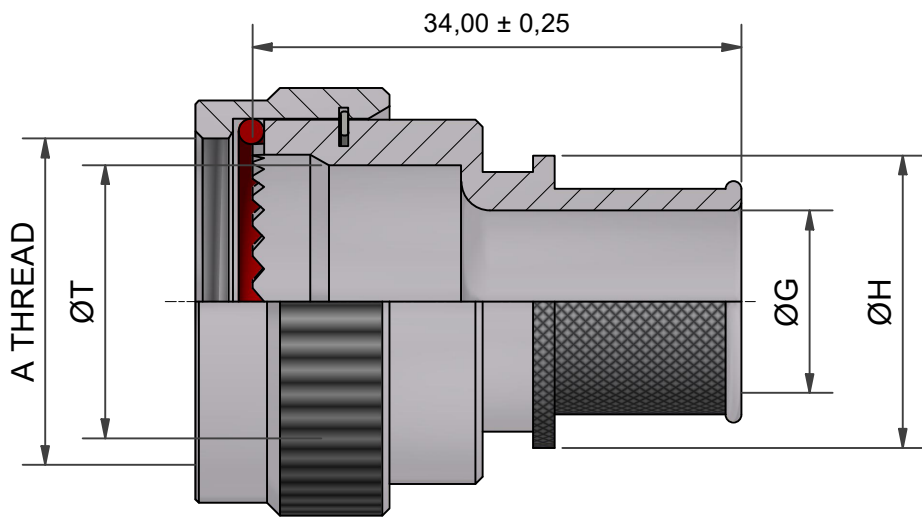
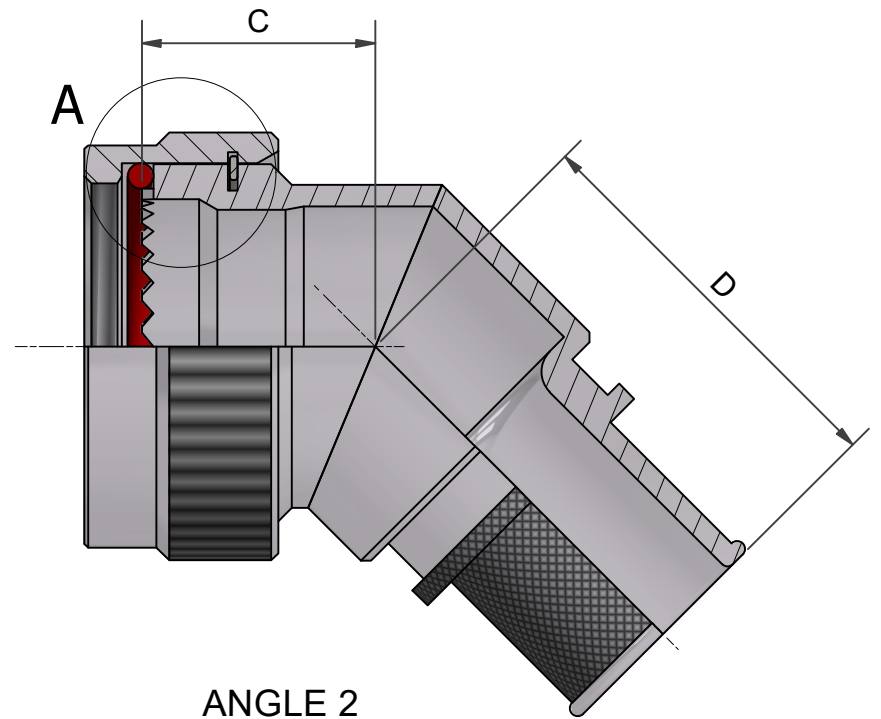


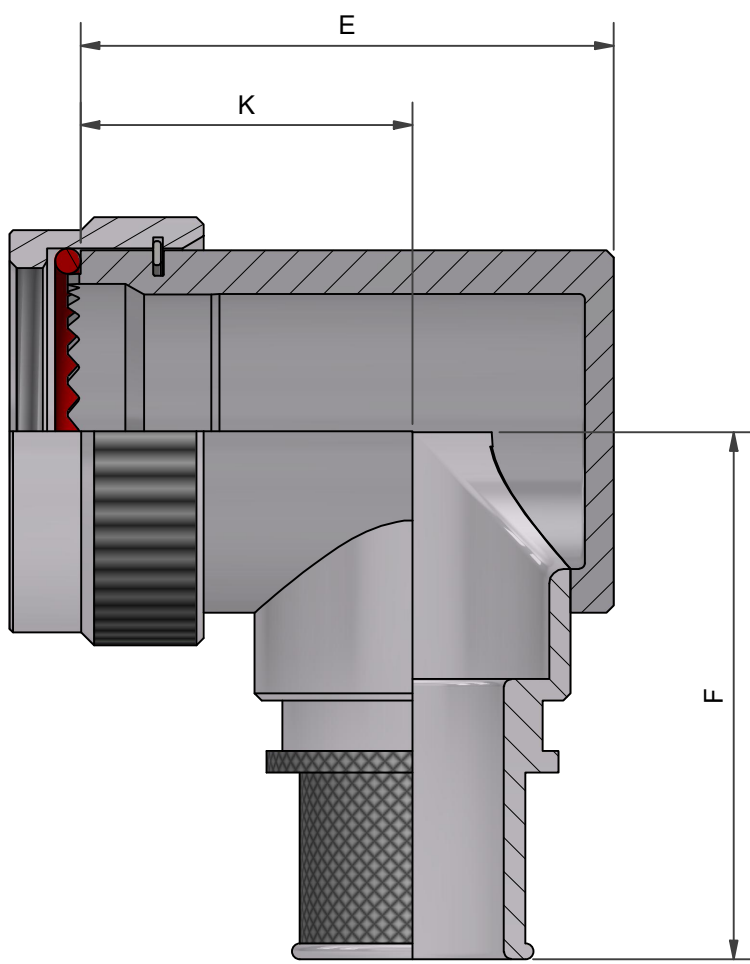
ISS / REV	DESCRIPTION	CHANGED BY	DATE
1	INITIAL RELEASE	K.K-W	25/06/12
2	DCR 5763 + 5764	R.CL	11/05/18
AA	CRN 26424	N.H	01/03/24



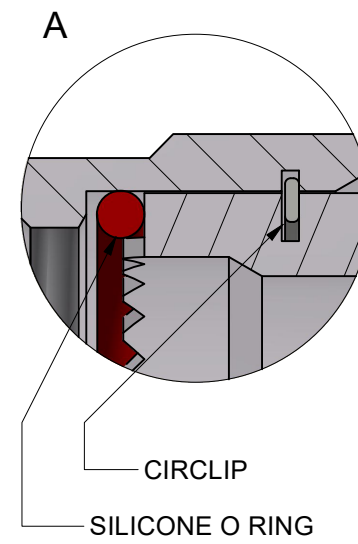
ANGLE 1



ANGLE 2



ANGLE 3



DRAWN	R.CL	DATE	11/05/2018
SALES APPR	M.PAUL	DATE	11/05/2018
DESIGN APPR	K.SHEPPARD	DATE	11/05/2018
PROD APPR	K.SMITH	DATE	11/05/2018
QUAL APPR	P.REES	DATE	11/05/2018
ISSUE/REV	CRN		
AA	26424		
NCAGE CODE	U5792	WEIGHT	

3RD ANGLE PROJECTION NOT TO SCALE

UNLESS OTHERWISE SPECIFIED ALL DIMENSIONS IN MILLIMETRES

GENERAL TOL
 LINEAR +/-0,25MM
 ANGULAR +/- 1°

MATERIAL
 SEE PART NUMBER BREAKDOWN

FINISH
 SEE PART NUMBER BREAKDOWN

PART NUMBER:	91D SERIES		
TITLE:	SPRING TERMINATION BACKSHELL		
ASSY USED ON:			
THIS DRAWING IS COPYRIGHT AND THE PROPERTY OF POLAMCO LTD IT MUST NOT BE COPIED, USED FOR MANUFACTURE OR OTHERWISE DISCLOSED WITHOUT PRIOR WRITTEN CONSENT OF THE COMPANY.		POLAMCO LTD, WESTON LOCK, LOWER BRISTOL ROAD BATH BA2 1EP	SHT 1
		DRAWING NO:	P11308

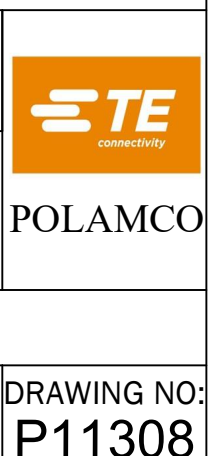


TABLE 1

SHELL SIZE	A THREAD	ØB MAX	ØT MIN	C ±0,5	D MAX	E MAX	F MAX	K ±0,5
08	7/16-28 UNF	17,3	7,0	14,1	25,7	25,2	30,4	17,5
10	9/16-24 UNEF	20,3	9,6	14,9	26,9	28,2	32,2	18,6
12	11/16-24 UNEF	23,8	13,3	15,3	27,3	31,7	33,7	20,5
14	13/16-20 UNEF	26,8	15,7	16,2	28,2	35,2	35,2	22,5
16	15/16-20 UNEF	29,8	18,8	16,5	29,0	38,2	36,9	24,0
18	1 1/16-18 UNEF	33,3	21,2	17,3	29,3	41,7	38,5	26,0
20	1 3/16-18 UNEF	36,3	24,4	18,2	30,1	45,2	41,1	28,0
22	1 5/16-18 UNEF	39,8	27,6	18,5	30,5	48,2	41,6	29,5
24	1 7/16-18 UNEF	42,8	30,8	19,4	31,4	51,2	43,1	31,0

TABLE 2

ENTRY SIZE	ØG MIN	ØH MAX	SPRING REF:
03	4,77	13,9	HE050
04	6,35	13,9	HE050
05	7,92	15,5	HE100
06	9,52	17,2	HE100
07	11,10	18,7	HE100
08	12,70	20,3	HE200
09	14,27	21,9	HE200
10	15,88	23,5	HE200
11	17,47	25,1	HE200
12	19,05	26,7	HE300
13	20,62	28,3	HE300
14	22,23	29,9	HE300
15	23,82	31,5	HE300
16	25,40	33,1	HE300
17	27,00	34,7	HE400
18	28,60	36,3	HE400
19	30,20	37,9	HE400
20	31,80	39,5	HE400
21	33,38	41,1	HE400
22	35,00	42,7	HE400
23	36,58	44,3	HE400
24	38,10	45,9	HE400

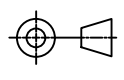

TABLE 3

CODE	MATERIAL / FINISH
1-C	ALUMINIUM / ELECTROLESS NICKEL
1-B	ALUMINIUM / CADMIUM OLIVE DRAB OVER ELECTROLESS NICKEL
1-ZB	ALUMINIUM / ZINC COBALT OLIVE DRAB OVER ELECTROLESS NICKEL
1-ZN	ALUMINIUM / ZINC NICKEL BLACK PASSIVATE OVER ELECTROLESS NICKEL
4-J	STAINLESS STEEL / PASSIVATE
2-Z	NICKEL ALUMINIUM BRONZE / SHOT BLAST

SEE SS0076 FOR FULL RANGE OF FINISH OPTIONS

91D1-16-08-1-C-HE200

SERIES _____
CONNECTOR INTERFACE _____
ANGLE _____
SHELL SIZE (TABLE 1) _____
ENTRY SIZE (TABLE 2) _____
MATERIAL: ALUMINIUM ALLOY _____
FINISH (TABLE 3) _____
SPRING REFERENCE (TABLE 2) _____
SPRING REFERENCE NOT INCLUDED IN PART MARKING
e.g 91D1-16-08-1-C [BATCH NUMBER]

DRAWN	R.CL	DATE 11/05/2018	 3RD ANGLE PROJECTION NOT TO SCALE <small>UNLESS OTHERWISE SPECIFIED ALL DIMENSIONS IN MILLIMETRES</small> GENERAL TOL <small>LINEAR +/-0,25MM</small> <small>ANGULAR +/- 1°</small>	PART NUMBER:		 POLAMCO	
SALES APPR	M.PAUL	11/05/2018		91D SERIES			
DESIGN APPR	K.SHEPPARD	11/05/2018		TITLE:			
PROD APPR	K.SMITH	11/05/2018		SPRING TERMINATION BACKSHELL			
QUAL APPR	P.REES	11/05/2018		ASSY USED ON:			
ISSUE/REV AA	CRN 26424	WEIGHT	<small>THIS DRAWING IS COPYRIGHT AND THE PROPERTY OF POLAMCO LTD IT MUST NOT BE COPIED, USED FOR MANUFACTURE OR OTHERWISE DISCLOSED WITHOUT PRIOR WRITTEN CONSENT OF THE COMPANY.</small>		<small>POLAMCO LTD, WESTON LOCK, LOWER BRISTOL ROAD BATH BA2 1EP</small>	SHT 2	DRAWING NO: P11308
NCAGE CODE U5792							