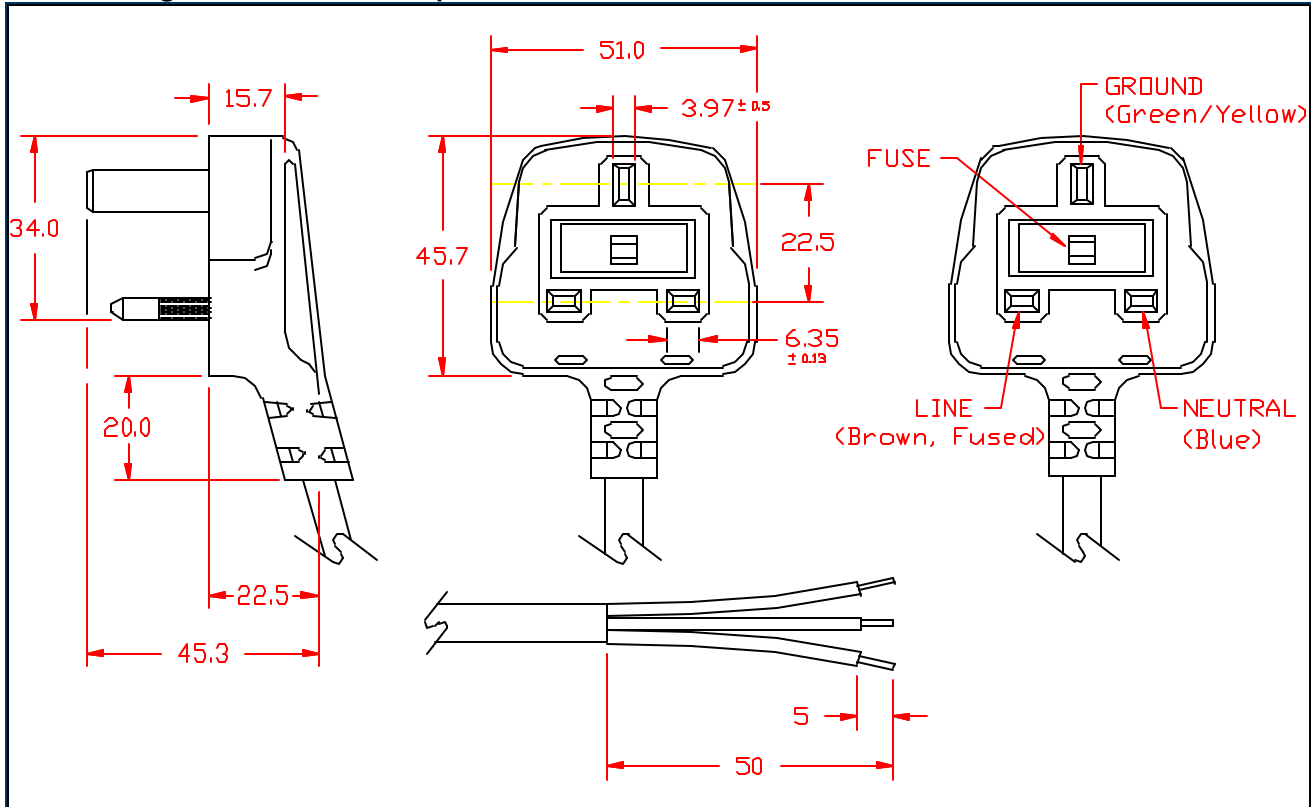




MAILING ADDRESS:
P.O. Box 115
SHIPPING ADDRESS:
100 Interpower Avenue
Oskaloosa, IA 52577 (USA)
E-MAIL: info@interpower.com

US, CAN, PR, VI:
Call Toll -free: (800) 662-2290
Fax Toll-free: (800) 645-5360
INTERNATIONAL:
Phone: (641) 673-5000
Fax: (641) 673-5100

United Kingdom/Ireland 10Amp Power Cord



Specifications (Note: dimensions in mm)	
Part Number: 86554004	Outer Diameter: 7.0mm
Current Rating: 10	Circular Mil. Area:
Voltage Rating: 250	General Material: PVC
Temperature Rating: +5°C to +70°C	British Fuse:
Plug Type: BS 1363A	Catalog Plug Description: PD1
Plug Color: Black	Catalog Connector Description: TJ1
Connector Type: Unterminated	CE Marked:
Connector Color:	
Wiring Color Code: Brown,Blue,Green/Yellow	
Number of Conductors: 3	
Conductor Size: 1.00mm ²	
Conductor Code: International	
Cord Type: H05VVF3G1.00	
General Cord Type: HAR	
Cable Standard: HD-21	
Cable Length: 2.5m	
Cable Color: Black	
Approx. Stranding: 32/0.2mm	
Plug Approvals: ASTA	Connector Approvals:
Remarks:	
Last Modification: 02/15/02 • 14:21:42 • jcaligiu *Specifications subject to change without notice	