



Net-SERV® Colocation Cabinet



SPECIFICATION SHEET

specifications

The colocation cabinet shall consist of a welded metal frame with two separate compartments. Each compartment shall provide 22 rack units of equipment mounting space and shall be separated from an adjacent unit by a shelf. The cabinet shall be available in 28.0" (700mm) width, 48.0" (1198mm) depth, and 45 RU height. Top panels shall include multiple openings with molded edge protection for cable entry. The cabinet shall include two single hinge perforated front doors and two single hinge perforated rear doors with combination locks, two side panels with locks, and no cable management. Cabinets shall include a 22 RU vertical power outlet unit (POU) mounting bracket in each isolated compartment. The entire cabinet shall be fully electrically bonded, including equipment rails, door, and side panels. Single point bonding locations shall be available at the top and bottom of each cabinet. The cabinet shall have a load rating of 1250 lbs. per section for 2500 lbs. total.



technical information

Dimensions:	45 RU – 28" W (700mm) x 50.5" D (1283mm) x 83.0" H (2118mm) – with doors
Material:	Galvannealed steel with durable black polyester epoxy powder coat finish
Compliance:	EIA-310-D TIA/EIA-942 UL Listed 2500 lbs. (1134 kg) static load rating
Packaging:	Cabinet ships assembled, one per pallet

key features and benefits

Versatility	Within one footprint there are two bays, top and bottom; within each bay, equipment rails may be configured independently to meet each customer application minimizing real estate costs
Isolated cable and power channels	Provides optimal and discreet channels for managing and protecting cables contributing to increased network availability
Rapid deployment	Half height vertical power outlet unit (POU) mounting brackets included to speed deployment; infinitely adjustable rails can be quickly repositioned
Bonding	Cabinets and accessories are single-point bonded, providing a safe and reliable network while reducing installation costs
Thermal management	Designated for electronic equipment front-to-rear cooling air flow pattern enabling energy savings and improved performance
Energy efficiency	Engineered thermal management allows migration path for higher thermal densities reducing energy expenses

applications

The Net-SERV® Colocation Cabinet is a secure, multi-compartment unit specifically designed for a colocation environment. It provides housing for electronic equipment in two separate compartments for two customers minimizing real estate cost.

Each compartment provides 22 rack units of equipment mounting space, is separated from an adjacent unit by a shelf, and is supplied with front and rear perforated doors with combination locks to insure secure access to its owner. There are two full size end panels with locks on both sides of the cabinet. POU brackets are included to mount half height vertical POU's.

An isolated vertical cable and power channel integrated into the cabinet chassis allows for secure compartment specific cable access. Adjacent cabinet cabling is protected by ducting ensuring security from unauthorized access.

The Net-SERV® Colocation Cabinet is engineered to provide a best in class split cabinet solution for your data center. This cabinet is compatible with the FiberRunner® and Wyr-Grid™ Overhead Cable Routing Systems.

Net-SERV® 700mm Wide Split Colocation Cabinet

45 RU, single perforated front door, split perforated rear doors, two side panels, and no cable management: S752S2C122B

Net-SERV® Standard Density Server Cabinet with Solid Side Panels

28"W x 45 RU: S752C122B

Power Outlet Unit (POU) Half Height Vertical 3- WYE 120/208V 30A, 9 IEC C-13 and 3 IEC C-19 and 6 NEMA 5-20R Outlets

Networked phase/breaker (X, Y, Z) monitoring: QZ1C1P3BN1851

Power Outlet Unit (POU) Half Height Vertical Single Phase 208V, 30A 12 IEC C-13 and 2 IEC C-19 Outlets

Networked aggregate/breaker monitoring: QZ1B1L2BN1441

Power Outlet Unit (POU) Half Height Vertical Single Phase 230V, 32A 12 IEC C-13 and 2 IEC C-19 Outlets

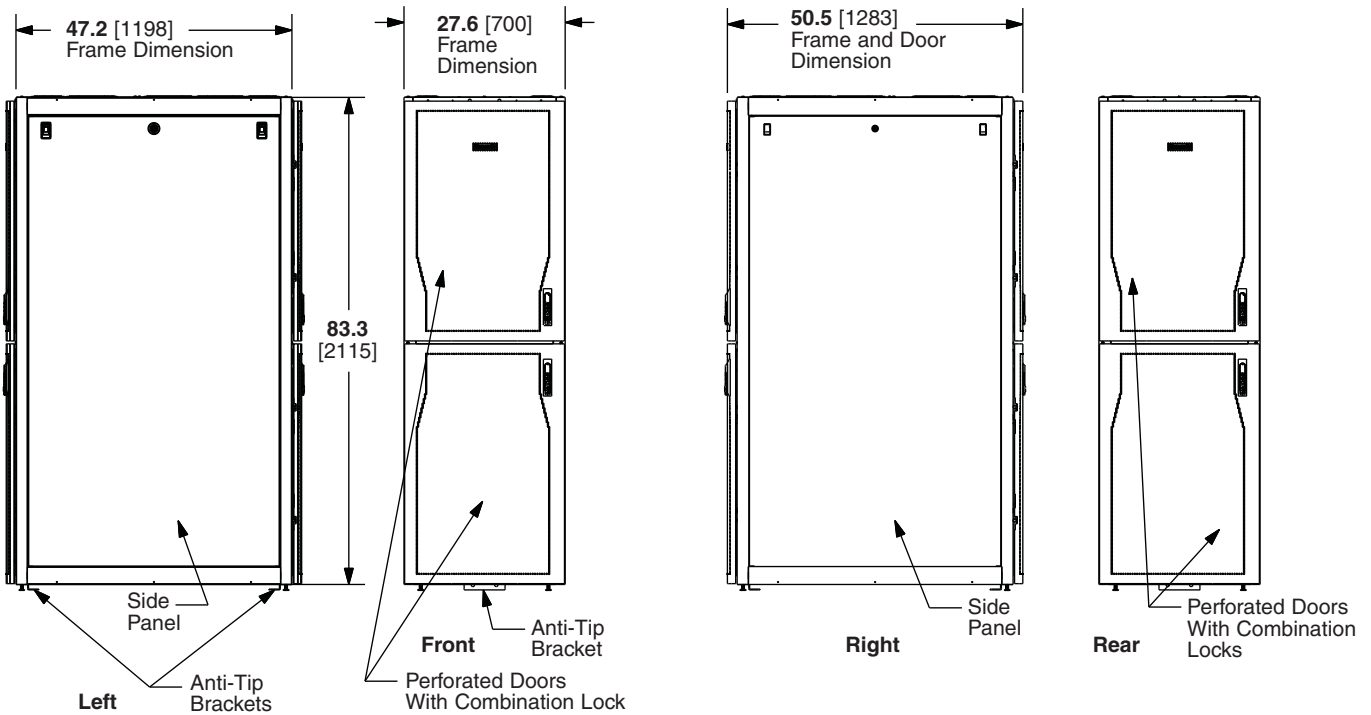
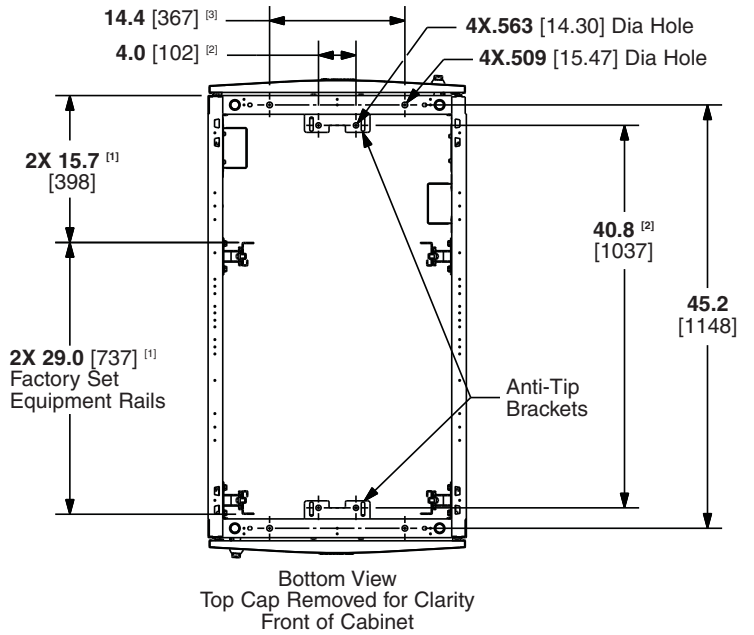
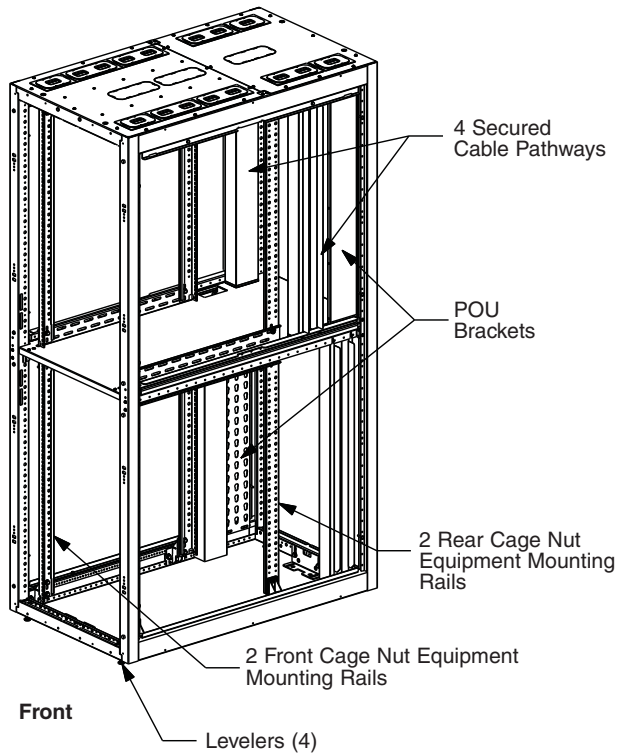
Networked aggregate/breaker monitoring: QZ1D2B2BM1441

Accessories

Cool Boot™ Cabinet Top Air Sealing Fitting: CTG3X8
Cabinet top cover and cable protection bezel: CTCC3X8
Casters: SCSTR

Net-SERV® Colocation Cabinet

45 RU cabinet dimensions



Dimensions are in inches. [Dimensions in brackets are metric].

WORLDWIDE SUBSIDIARIES AND SALES OFFICES

PANDUIT CANADA
Markham, Ontario
cs-cdn@panduit.com
Phone: 800.777.3300

PANDUIT EUROPE LTD.
London, UK
cs-emea@panduit.com
Phone: 44.20.8601.7200

PANDUIT SINGAPORE PTE. LTD.
Republic of Singapore
cs-ap@panduit.com
Phone: 65.6305.7575

PANDUIT JAPAN
Tokyo, Japan
cs-japan@panduit.com
Phone: 81.3.6863.6000

PANDUIT LATIN AMERICA
Guadalajara, Mexico
cs-la@panduit.com
Phone: 52.33.3777.6000

PANDUIT AUSTRALIA PTY. LTD.
Victoria, Australia
cs-aus@panduit.com
Phone: 61.3.9794.9020

For a copy of Panduit product warranties, log on to www.panduit.com/warranty

For more information

Visit us at www.panduit.com

Contact Customer Service by email: cs@panduit.com
or by phone: 800.777.3300 and reference RKSP76

PANDUIT®

©2011 Panduit Corp.
ALL RIGHTS RESERVED.

WW-RKSP76

12/2011