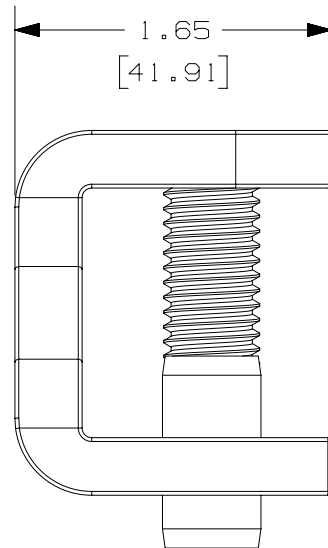
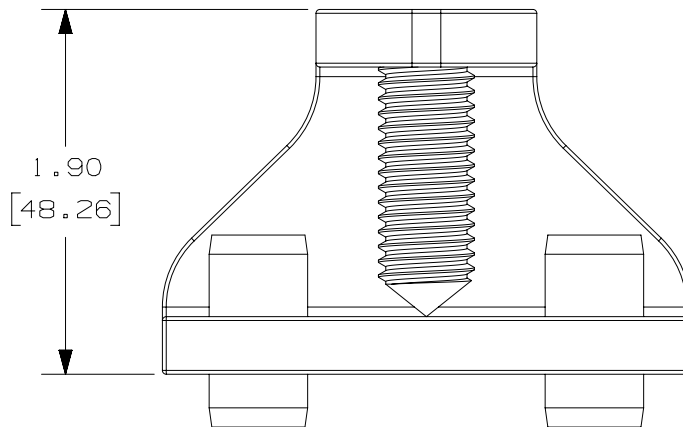


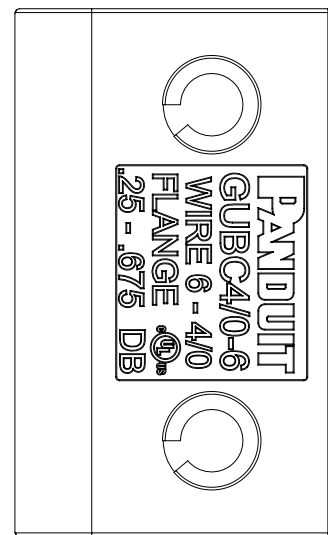
1/4" HEX SOCKET
25ft-lbs INSTALLATION TORQUE



1.65
[41.91]



1.90
[48.26]



2.75
[69.85]

Panduit Part Number	GUBC4/0-6
Material	Stainless Steel
Stud Size	NEMA 0.5"
Stud Spacing	NEMA 1.75"
Wire Range	#6 SOL - 4/0 STR
Flange Thickness	0.25"-0.675"
Flange Type	Straight or Angled
Installation Tool	1/4" Allen Wrench
Installation Torque	25ft-lbs
UL Listed	cULus 467 Listed

NOTES:

1. DIMENSION ARE IN INCHES, DIMENSION IN BRACKETS ARE IN MILLIMETERS.
2. UL LISTED AND UL LISTED FOR USE IN CANADA.
3. SUITABLE FOR DIRECT BURIAL IN EARTH OR CONCRETE.
4. COMES WITH A TUBE OF ANTI-OXIDANT JOINT COMPOUND.



DB
RATED

REV	DATE	BY	CHK	APR	DESCRIPTION	ECN
01	01/13/16	KEC	KEC	RGB	UPDATED PER PIECE PARTS, .675 WAS .625	00075LBD_DC
00	11/08/16	KEC	RMHI	RGB	RELEASED TO PRODUCTION	00075LBD_DC

TITLE GUBC4/0-6 Light-Duty Beam Grounding Clamp CUSTOMER DRAWING	
ITEM REVISION NAME 00075LBD/01	PANDUIT
DATASET FILE NAME 00075LBD_DC/01	
UNLESS OTHERWISE SPECIFIED, DIMENSIONAL TOLERANCES ARE: IN [mm] .x ± .1 [2.54] .xxx ± .005 [.127] .xx ± .03 [.75] ANGLES ± 5°	
MATERIAL: Stainless Steel	
DRAWING NUMBER: 00075LBD_DC	
DRAWN BY KEC	DATE 06/21/16
CHK	SCALE 1:1
SHT 1 OF 1	
SIZE B	