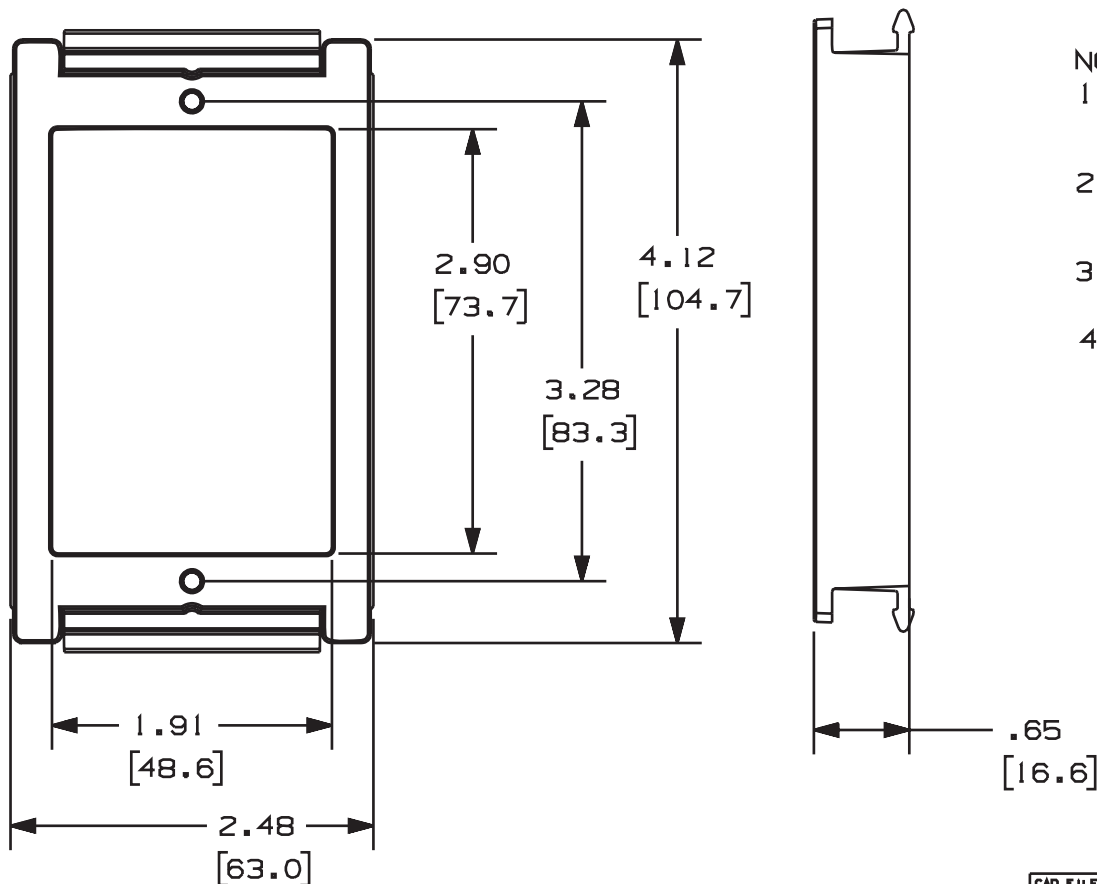


THIS COPY IS PROVIDED ON A RESTRICTED BASIS AND IS NOT TO BE USED IN ANY WAY DETRIMENTAL TO THE INTERESTS OF PANDUIT CORP.

PANDUIT P/N	WEIGHT
T130DBV	.6 LB/10 PCS (242 g/10 PCS)



NOTES:

1. SEE CURRENT CATALOG FOR ADDITIONAL PART SUFFIXES TO INDICATE COLOR AND OR PACKAGE QUANTITY.
2. THE T130DBV IS USED FOR MOUNTING NEMA STANDARD ELECTRICAL RECEPTACLES INCLUDING GFCI.
3. THE T130DBV IS MOUNTED ONLY TO SLOTS ON THE T130 RACEWAY WALL.
4. DIMENSIONS IN PARENTHESES ARE IN METRIC.



CAD FILENAME/LAYERS D36728BG\_DC\_T130DBV\_01

PANDUIT CORP. TINLEY PARK, ILLINOIS  
 PAN-WAY T130 VERTICAL DEVICE BRACKET (T130DBV)  
 CUSTOMER DRAWING

UNLESS OTHERWISE SPECIFIED, DIMENSIONAL TOLERANCES ARE:  
 (.X) ± (.XXX) ±  
 (.XX) ±.03 (.8) ANGLES ±

UNLESS OTHERWISE SPECIFIED, ALL DIMENSIONS ARE GIVEN IN INCHES, THIRD ANGLE PROJECTION.

REV	DATE	BY	CHK	DESCRIPTION	ECN	CHK	CUST	SUP	DRAWN BY	MAT'L	SCALE	DWG NO.	DWG SIZE
1	7/8/99	DW	HIW	A. REVISED MATERIAL AND WEIGHT.	36728-06	HIW	HIW		DW	PVC	NONE	36728-06	A
R	3-25-98	DW	HIW	RELEASED TO PRODUCTION.	36728-06	HIW	HIW		DW				
									HIW				