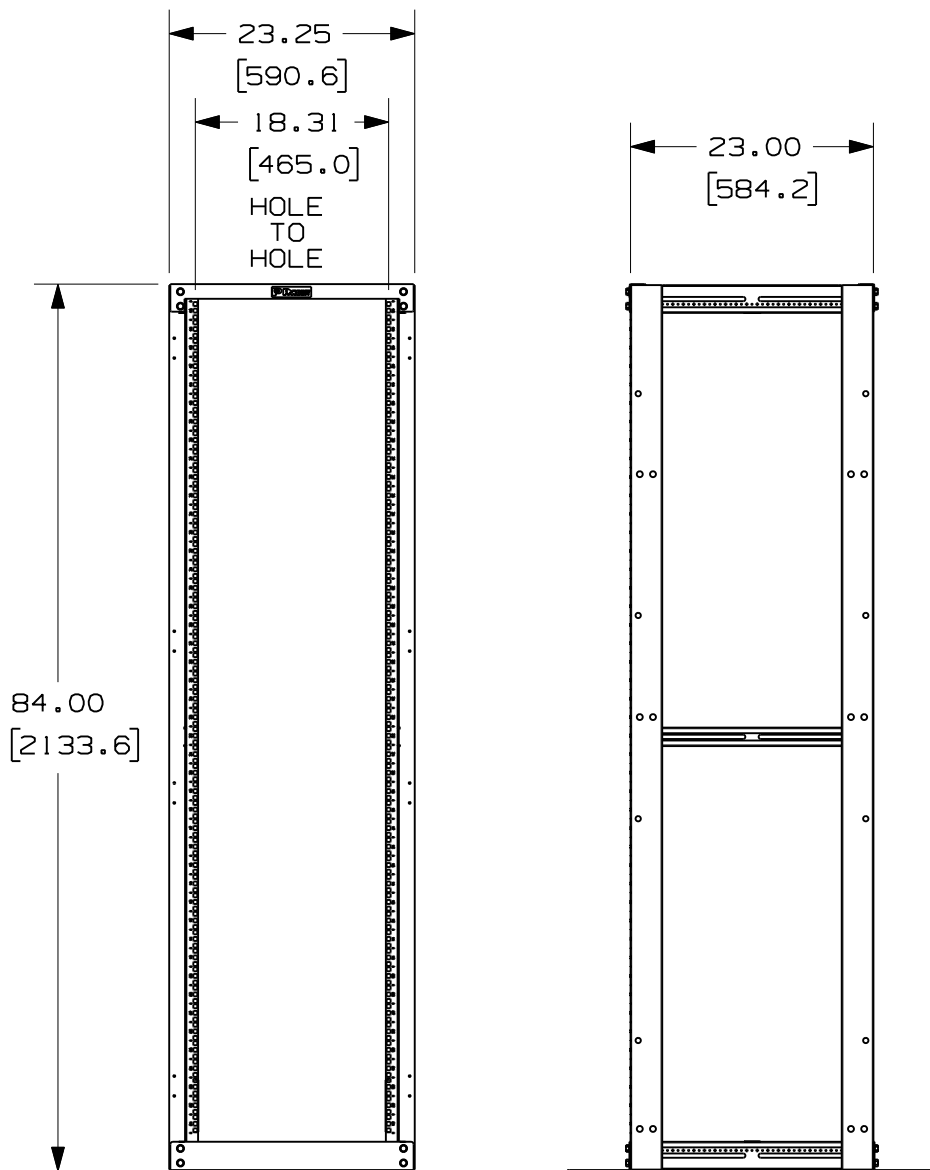


THIS COPY IS PROVIDED ON A RESTRICTED BASIS AND IS NOT TO BE USED IN ANY WAY DETRIMENTAL TO THE INTERESTS OF PANDUIT CORP.

PANDUIT P/N	WEIGHT
CMR4P84D23CNUU	97 LBS/EACH 44.1 Kg/EACH



NOTES:

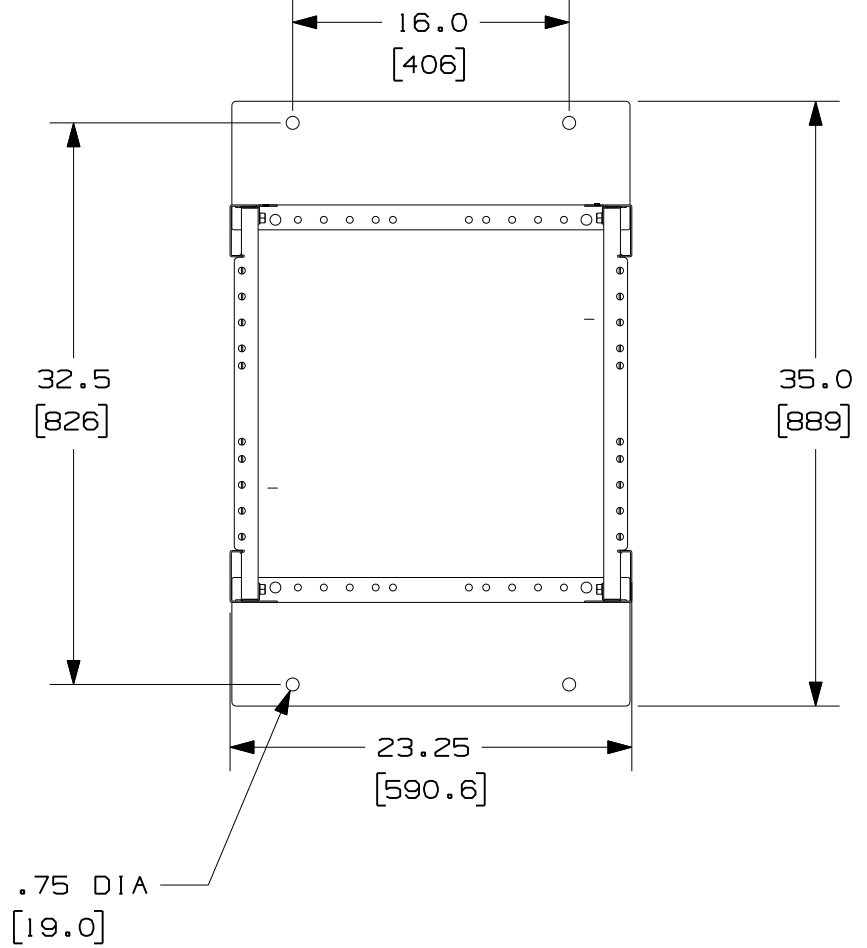
- VISIT OUR ON-LINE CATALOG AT WWW.PANDUIT.COM FOR A LIST OF CURRENT PARTS APPLICABLE FOR USE WITH THIS PRODUCT.
- DIMENSIONS IN PARENTHESIS ARE METRIC.
- INDEPENDENT ADJUSTABLE FRONT & REAR MOUNTING RAILS (EIA) ADJUST FROM 4" TO 23" DEPTH.
- CAN BE USED WITH ANY EIA STANDARD COMPONENT IN ADDITION TO ALL PANDUIT HORIZONTAL CABLE MANAGEMENT AND PATCH PANEL PRODUCTS.
- 45 AVAILABLE RACK SPACES.
- EIA UNIVERSAL STANDARD HOLE PROGRESSION ON FRONT CHANNELS AND REAR MOUNT RAILS .625" .625" .500" .625" .625" .500" ...ETC.
- ALL ASSEMBLY HARDWARE INCLUDED:
 - (12) 3/8-16 X 1" BLACK HEX HEAD CAP SCREWS
 - (24) 3/8" PAINT PIERCING GROUNDING WASHERS
 - (1) TUBE OF ANTI-OXIDIZING PASTE
 - (12) 3/8-16 BLACK HEX NUTS
 - (24) 12-24 X .5" SLOTTED PAN HEAD STEEL SCREWS
 - (25) CAGE NUTS #12-24
- RU SPACING NUMBERS ARE CLEARLY PRINTED ON MOUNTING RAILS. RU NUMBERING IS BOTTOM-UP, WITH RU #1 AT BOTTOM AND RU #45 AT TOP.
- EASY ASSEMBLY, ONE WRENCH NEEDED TO INSTALL BOLTS INTO WELDNUTS IN ALL 8 CORNERS.
- FULLY BONDED STRUCTURE WHEN ASSEMBLED PER INSTRUCTIONS.
- LOAD RATING - 2000 LBS.

MODEL FILENAME	V10479AH/01
CAD FILENAME/LAYERS	V10479AH_DC/01A
<h1>PANDUIT</h1> CORP. TINLEY PARK, ILLINOIS	
23 IN. DEEP 4 POST RACK W/CAGE NUT-NUMBERS UP (CMR4P84D23CNUU) CUSTOMER DRAWING	

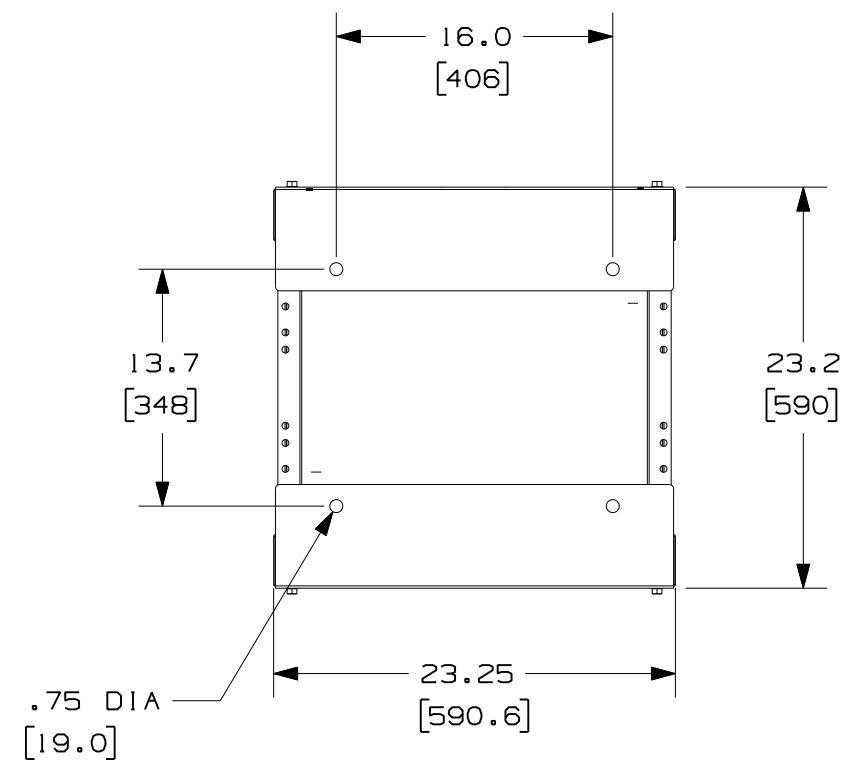
REV	DATE	BY	CHK	DESCRIPTION	ECN	R	CUST	SUP	OTH
01A	11-11-08	BAME	<i>DMC</i>	CHANGED NUMBERING ORIENTATION UPDATED HARDWARE NOTE REVISED PART WEIGHT UPDATED NOTE 3	10479-18				
00	10-24-07	TMW	TBW	RELEASED TO PRODUCTION	10479-18		KRKE		

UNLESS OTHERWISE SPECIFIED, DIMENSIONAL TOLERANCES ARE:			UNLESS OTHERWISE SPECIFIED,	
INCHES	[METRIC - MILLIMETER]	ANGLE	ALL DIMENSIONS ARE GIVEN	
X.X ± 0.06	X. ± 1.5	± 1°	IN INCHES, THIRD ANGLE PROJECTION.	
X.XX ± 0.03	X.X ± 0.8			
X.XXX ± 0.015	X.XX ± 0.4			
DRAWN BY TMW	MAT'L:	SCALE	NONE	
DATE 10-24-07	STEEL	DRAWING NO.	10479-18	
CHK'D TBW			SHEET 1 OF 3	
			A SIZE	

THIS COPY IS PROVIDED ON A RESTRICTED BASIS AND IS NOT TO BE USED IN ANY WAY DETRIMENTAL TO THE INTERESTS OF PANDUIT CORP.



FLOOR FOOTPRINT WITH
BASE ANGLES TURNED
OUTWARD FOR EXTENDED
FOOTPRINT



FLOOR FOOTPRINT WITH
BASE ANGLES TURNED INWARD

MODEL FILENAME	V10479AH/01
CAD FILENAME/LAYERS	V10479AH_DC/01A
<h1>PANDUIT</h1> CORP. TINLEY PARK, ILLINOIS	
23 IN. DEEP 4 POST RACK W/CAGE NUT-NUMBERS UP (CMR4P84D23CNU) CUSTOMER DRAWING	

UNLESS OTHERWISE SPECIFIED, DIMENSIONAL TOLERANCES ARE:

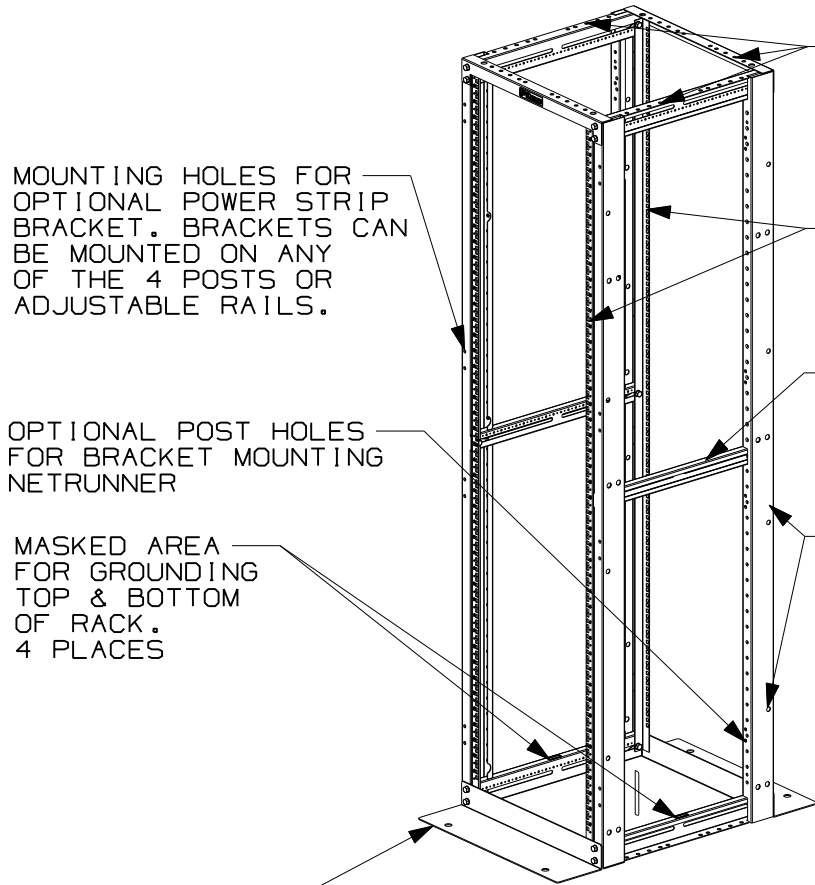
INCHES	[METRIC - MILLIMETER]	ANGLE
X.X ± 0.06	X. ± 1.5	± 1°
X.XX ± 0.03	X.X ± 0.8	
X.XXX ± 0.015	X.XX ± 0.4	

UNLESS OTHERWISE SPECIFIED,
ALL DIMENSIONS ARE GIVEN
IN INCHES, THIRD ANGLE PROJECTION.

REV	DATE	BY	CHK	DESCRIPTION	ECN	R	CUST	SUP	OTH
O1A	11-11-08	BAME	DPK	SEE SHEET 1 OF 3 FOR REVISIONS	10479-18				
00	10-24-07	TMW		SEE SHEET 1 OF 3 FOR REVISIONS	10479-18		KRKE		

DRAWN BY TMW	MAT'L: STEEL	SCALE NONE
DATE 10-24-07		DRAWING NO. 10479-18
CHK'D TBW		SHEET 2 OF 3
		DWG A SIZE

THIS COPY IS PROVIDED ON A RESTRICTED BASIS AND IS NOT TO BE USED IN ANY WAY DETRIMENTAL TO THE INTERESTS OF PANDUIT CORP.



MOUNTING HOLES FOR OPTIONAL POWER STRIP BRACKET. BRACKETS CAN BE MOUNTED ON ANY OF THE 4 POSTS OR ADJUSTABLE RAILS.

OPTIONAL POST HOLES FOR BRACKET MOUNTING NETRUNNER

MASKED AREA FOR GROUNDING TOP & BOTTOM OF RACK. 4 PLACES

BASE ANGLES (SEE SHEET 2 FOR MOUNTING POSITIONS)

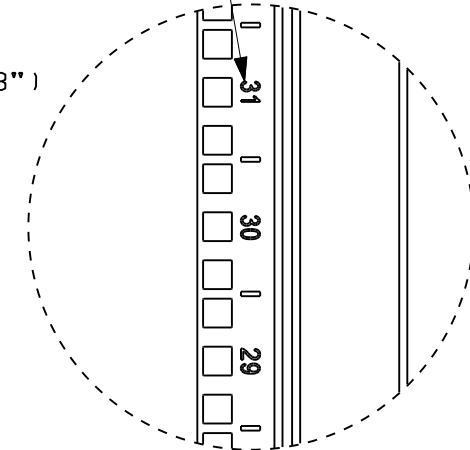
"J" BOLT MOUNTING HOLES FOR SECURING LADDER RACK PERPENDICULAR AND PARALLEL TO FOUR POST RACK.

MOUNTING RAILS (ADJUSTABLE FROM 4" TO 23")

CROSS BEAMS ARE MARKED EVERY 1/2" FOR MOUNTING RAIL ALIGNMENT

MOUNTING HOLES FOR VERTICAL MANAGERS. DOUBLE HOLES ARE FOR MOUNTING PATCHRUNNER. SINGLE HOLES ARE FOR SIDE MOUNTING NETRUNNER.

RU SPACINGS ARE PRINTED ON MOUNTING RAILS. RU NUMBERING IS BOTTOM-UP, WITH RU #1 AT BOTTOM AND RU #45 AT TOP



MODEL FILENAME	V10479AH/01
CAD FILENAME/LAYERS	V10479AH_DC/01A
PANDUIT CORP. TINLEY PARK, ILLINOIS	
23 IN. DEEP 4 POST RACK W/CAGE NUT-NUMBERS UP (CMR4P84D23CNU) CUSTOMER DRAWING	

										UNLESS OTHERWISE SPECIFIED, DIMENSIONAL TOLERANCES ARE:			UNLESS OTHERWISE SPECIFIED,					
										INCHES			[METRIC - MILLIMETER]			ANGLE		
										X.X ± 0.06			X. ± 1.5			± 1°		
										X.XX ± 0.03			X.X ± 0.8					
										X.XXX ± 0.015			X.XX ± 0.4					
O1A	11-11-08	BAME	<i>DPK</i>	SEE SHEET 1 OF 3 FOR REVISIONS	10479-18						DRAWN BY	MAT'L:	SCALE					
											TMW		STEEL	NONE				
OO	10-24-07	TMW		SEE SHEET 1 OF 3 FOR REVISIONS	10479-18						DATE			DRAWING NO.				
											10-24-07	10479-18						
REV	DATE	BY	CHK	DESCRIPTION	ECN	R	CUST	SUP	OTH		CHK'D	SHEET 3 OF 3			DWG			
											TBW				A			
															SIZE			