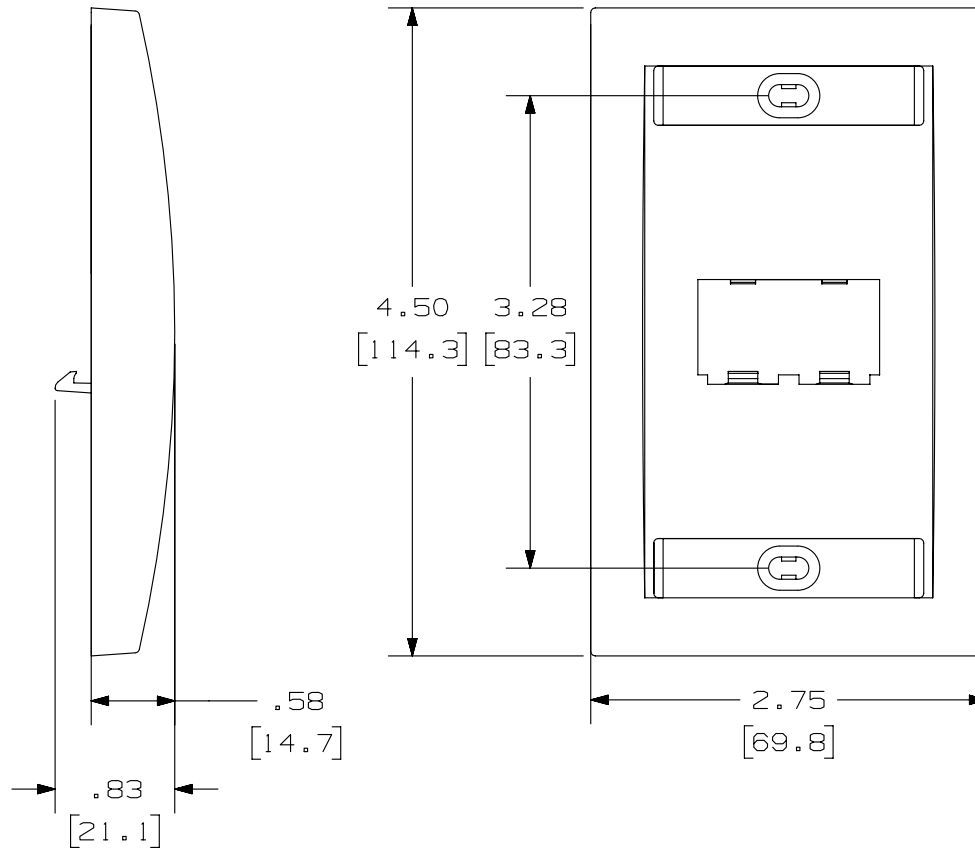


THIS COPY IS PROVIDED ON A RESTRICTED BASIS AND IS NOT TO BE USED IN ANY WAY DETRIMENTAL TO THE INTERESTS OF PANDUIT CORP.

PANDUIT P/N	WEIGHT
CFKE2F5U5J	1.03 LB/10 PCS (467.2 g/10 PCS)

NOTES:

1. SEE CURRENT CATALOG FOR ADDITIONAL PART NUMBER SUFFIXES TO INDICATE COLOR AND OR PACKAGE QUANTITY.
2. SEE CATALOG FOR COMPLETE LIST OF PARTS APPLICABLE FOR USE WITH THIS PART.
3. DIMENSIONS IN [ ] ARE IN METRIC.
4. PART INCLUDES:
  - 1- FACEPLATE (E1)
  - 2- LABEL
  - 2- LABEL COVER
  - 2- MOUNTING SCREW
  - 1- MINI-COM TX5e JACK MODULE (CJ5E88TGBU)
  - 1- MINI-COM TX5e JACK MODULE (CJ5E88TGOR)



PART NUMBER		CFKE2F5U5J	
TITLE		MINI-COM 2 POSITION EXECUTIVE SERIES FACEPLATE KIT	
		CUSTOMER DRAWING	
ITEM REVISION NAME		M00741NF/00	
DATASET FILE NAME		M00741NF_DC124/00B	
UNLESS OTHERWISE SPECIFIED, DIMENSIONAL TOLERANCES ARE: IN (mm)		MATERIAL:	
.x ± .xxx ± .010 [ .3 ]		ABS	
.xx ± .03 [ .8 ]		DRAWING NUMBER:	
ANGLES ±		00741-124	
THIRD ANGLE PROJECTION		SHT 1 OF 1	
DRAWN BY	DATE	CHK	SCALE
JSP	10-4-06	MJD	NONE
REV	DATE	BY	CHK
1	3/20/14	JSP	REFR
R	10-4-06	JSP	MJD
APR		MMR	
DESCRIPTION		ECN	
A. REVISED DRAWING TITLE BLOCK.		00741-124	
RELEASED TO PRODUCTION		00741-124	

D10100DA/14

2

1

2

1