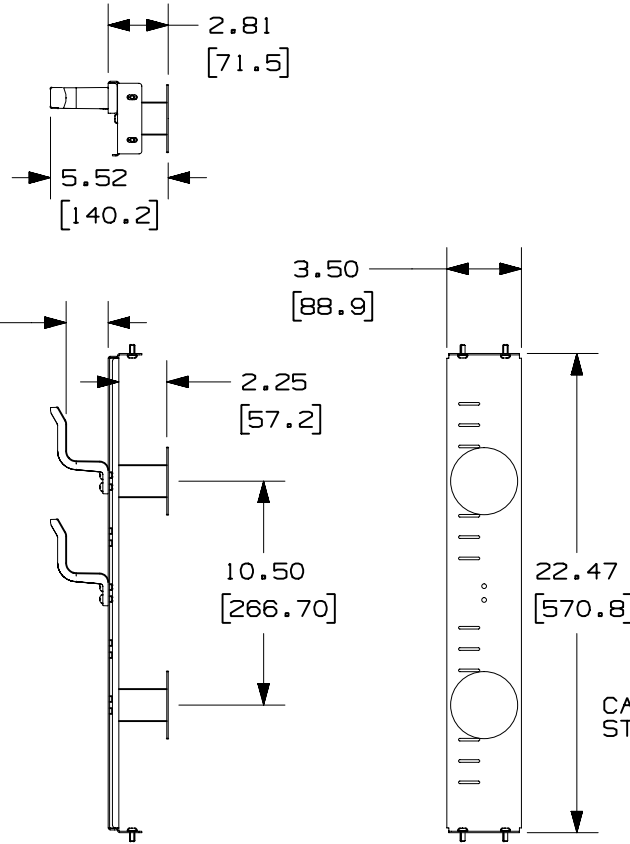
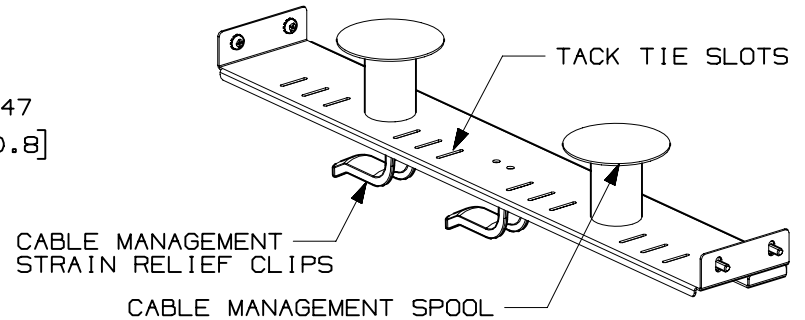


THIS COPY IS PROVIDED ON A RESTRICTED BASIS AND IS NOT TO BE USED IN ANY WAY DETRIMENTAL TO THE INTERESTS OF PANDUIT CORP.



PANDUIT PART NO.	WEIGHT
NCSM12	3.0 LBS/EACH 1.35 Kg/EACH

- NOTES:
- VISIT OUR ON-LINE CATALOG AT WWW.PANDUIT.COM FOR A CURRENT LIST OF PRODUCTS APPLICABLE FOR USE WITH THIS PART.
 - COMPONENTS: (1) SLACK MANAGER BRACE (2) SLACK MANAGER SPOOLS (2) STRAIN RELIEF CLIPS (1) NCSM-KIT (4) 12-24 X 1/2" SCREWS
 - DIMENSIONS IN PARENTHESIS ARE METRIC.



MODEL FILENAME V10138AH_SLACK-MANAGER_ASSY_03.PRT

CAD FILENAME/LAYERS V10138AH_DC_03B.PRT

PANDUIT CORP. TINLEY PARK, ILLINOIS

CABLEACCESS SLACK MANAGER
NCSM12
CUSTOMER DRAWING

UNLESS OTHERWISE SPECIFIED, DIMENSIONAL TOLERANCES ARE:
 INCHES X.X +/- 0.06 X.XX +/- 0.06 X.XXX +/- 0.03 [METRIC - MILLIMETER] X.X +/- 1.5 X.X +/- 1.5 X.XX +/- 0.8 ANGLE +/- 1°

UNLESS OTHERWISE SPECIFIED,
ALL DIMENSIONS ARE GIVEN
IN INCHES, THIRD ANGLE PROJECTION.

1	7-21-04	TKW		CHANGED PART NAME FROM NETCUBE TO CABLEACCESS	10138-63								
R	5-20-04	JDWE	SJA	RELEASED TO PRODUCTION	10138-63	SJA	BAS	BAS					
REV	DATE	BY	CHK	DESCRIPTION	ECN - R	CUST	SUP	OTH					

DRAWN BY JDWE

MAT'L:

SCALE NONE

DATE 5-20-04

SEE NOTES

DRAWING NO.

10138-63

CHK'D SJA

DWG
A
SIZE