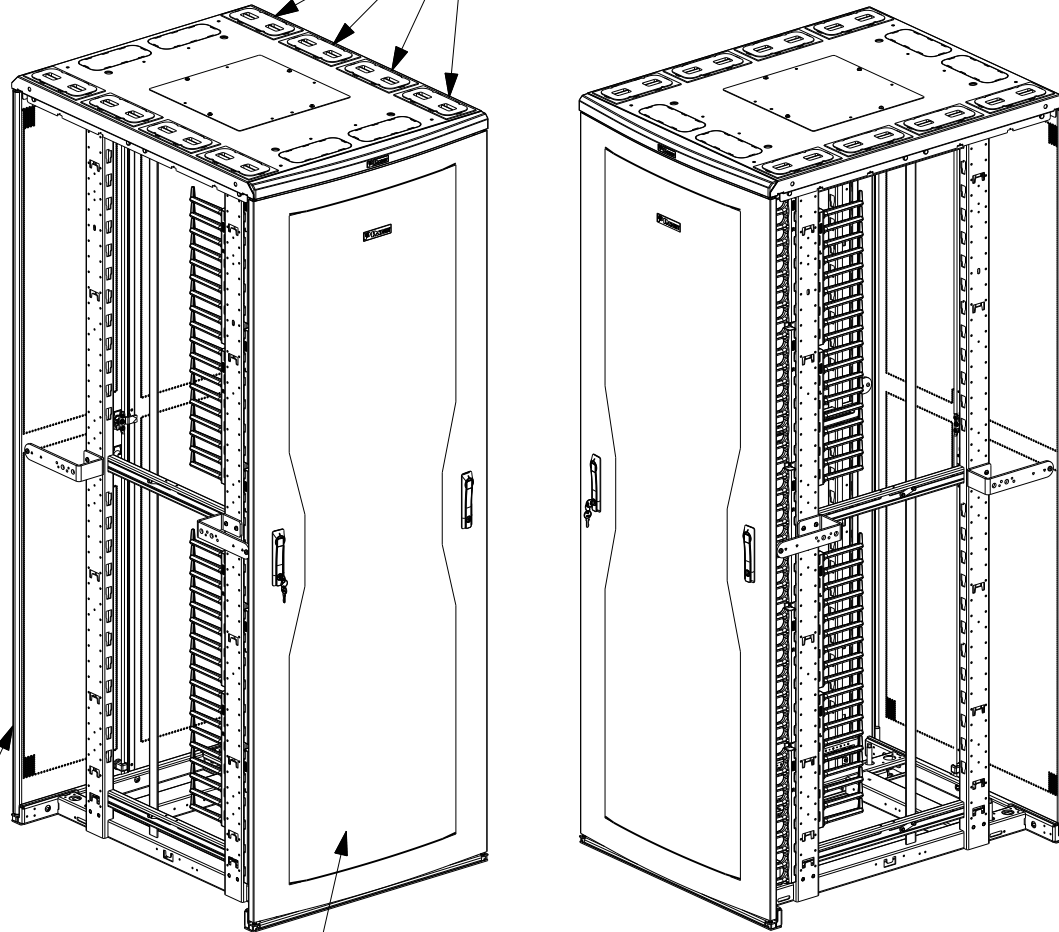


THIS COPY IS PROVIDED ON A RESTRICTED BASIS AND IS NOT TO BE USED IN ANY WAY DETRIMENTAL TO THE INTERESTS OF PANDUIT CORP.

(8) BEZELS AND COVERS ARE NOT INSTALLED (PART OF KIT)

PANDUIT P/N	WEIGHT
CN2	278 LBS/EACH 126.1 Kg/EACH



- VISIT OUR ON-LINE CATALOG AT [WWW.PANDUIT.COM](http://WWW.PANDUIT.COM) FOR A LIST OF CURRENT PARTS APPLICABLE FOR USE WITH THIS PRODUCT.
- DIMENSIONS IN PARENTHESES ARE METRIC [mm].
- INDEPENDENT ADJUSTABLE FRONT & REAR EQUIPMENT MOUNTING RAILS (EIA) ADJUST FROM 2.9" TO 25.9" DEPTH.
- CAN BE USED WITH ANY 19" EIA STANDARD COMPONENT IN ADDITION TO ALL PANDUIT HORIZONTAL CABLE MANAGEMENT AND PATCH PANEL PRODUCTS.
- 45 AVAILABLE RACK SPACES.
- EIA UNIVERSAL STANDARD HOLE PROGRESSION ON EQUIPMENT RAILS .625", .625", .500", .625", .625", .500"...ETC
- PARTS SUPPLIED:
  - 1- BASE CABINET
  - 1- DUAL HINGE DOOR
  - 1- SET OF SPLIT DOORS
  - 1- SET OF FRONT & REAR #12-24 TAPPED RAILS
  - 1- HARDWARE KIT
  - 2- VERTICAL CABLE MANAGEMENT FINGER KITS
  - 8- BEZELS & COVERS
  - 1- INSTRUCTION SHEET
- RACK UNIT SPACING NUMERALS ARE CLEARLY PRINTED ON EQUIPMENT MOUNTING RAILS.
- FULLY BONDED STRUCTURE WHEN ASSEMBLED PER INSTRUCTIONS.
- LOAD RATING: 2500 LBS [1134 kg].
- SINGLE POINT GROUND LOCATIONS AT TOP AND BOTTOM OF CABINET.

SPLIT DOOR

DUAL HINGE DOOR

LEFT ISO

RIGHT ISO

MODEL FILENAME	V10395AK/06.PRT
CAD FILENAME/LAYERS	V10395AK_DC/06A.PRT

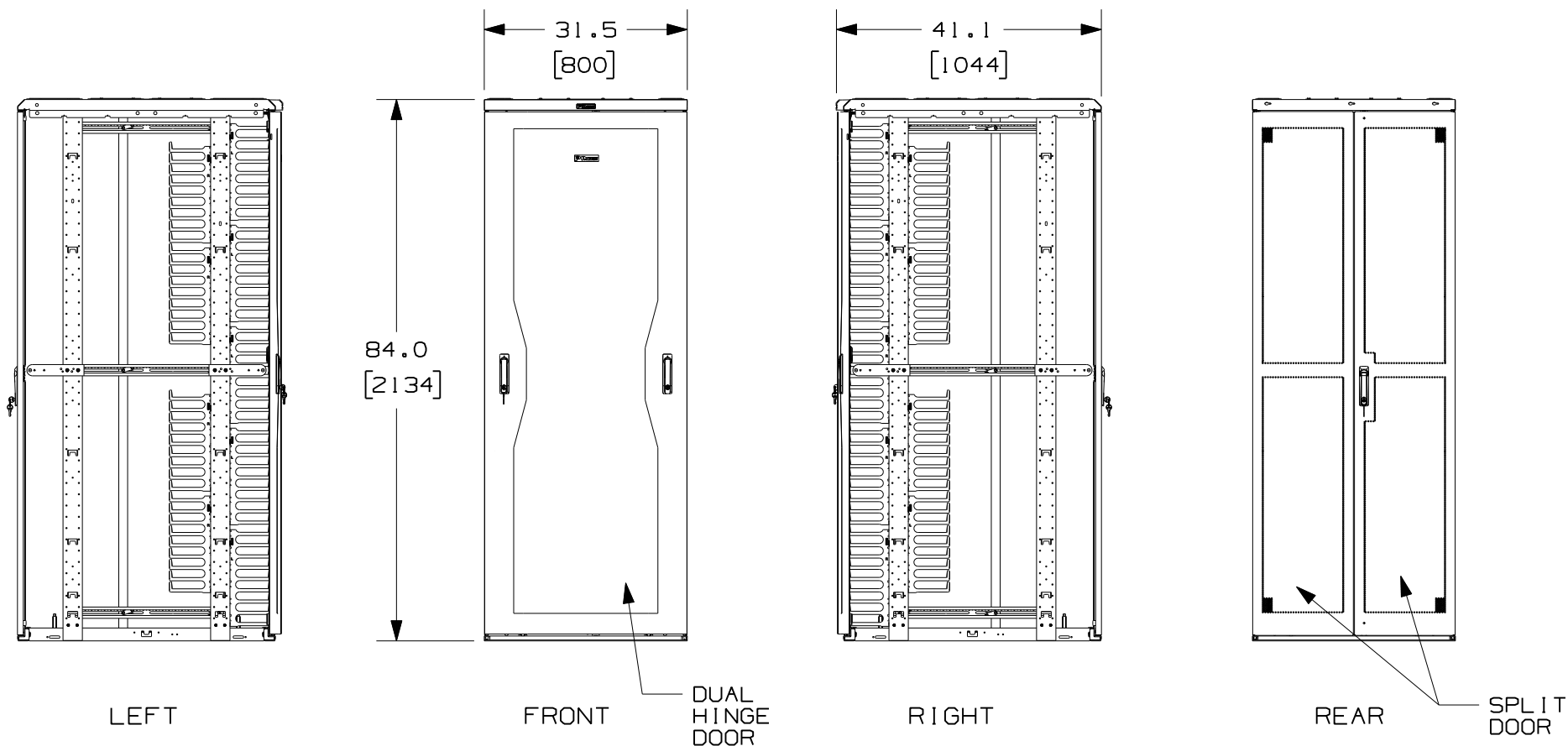
PANDUIT CORP. TINLEY PARK, ILLINOIS

CN2 CABINET CONFIGURATION  
CUSTOMER DRAWING

UNLESS OTHERWISE SPECIFIED, DIMENSIONAL TOLERANCES ARE:	UNLESS OTHERWISE SPECIFIED,
INCHES	[METRIC - MILLIMETER]
X.X +/- 0.06	X +/- 1.5
X.XX +/- 0.03	X.X +/- 0.8
X.XXX +/- 0.015	X.XX +/- 0.4
	ANGLE +/- 1°
	ALL DIMENSIONS ARE GIVEN IN INCHES, THIRD ANGLE PROJECTION.

REV	DATE	BY	CHK	DESCRIPTION	ECN	R	CUST	SUP	OTH	DRAWN BY	MAT'L:	SCALE	DRAWING NO.	DWG SIZE
06A	2-22-11	LEE	TKW	BEZELS & COVERS ADDED; SHEET 4 ADDED	10395-14		JDWE			JDWE		NONE	10395-14	A
00	7-31-06	JDWE	SJA	RELEASED TO PRODUCTION	10395-14								SHEET 1 OF 4	A
										SJA				

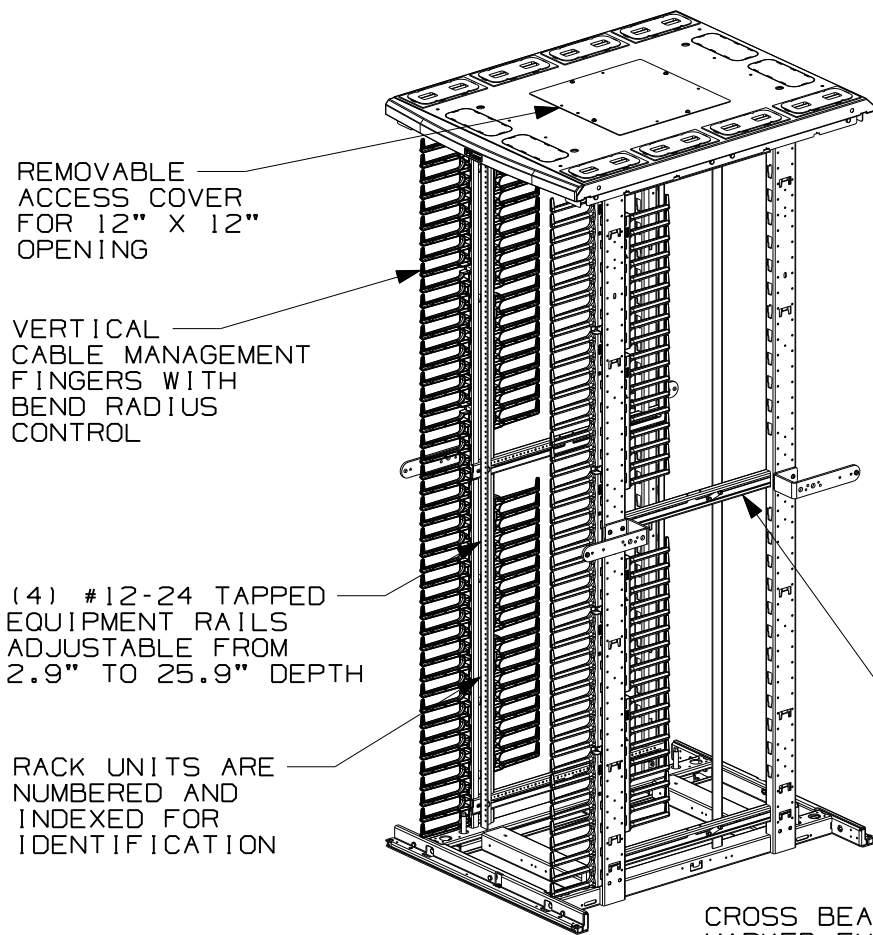
THIS COPY IS PROVIDED ON A RESTRICTED BASIS AND IS NOT TO BE USED IN ANY WAY DETRIMENTAL TO THE INTERESTS OF PANDUIT CORP.



MODEL FILENAME	V10395AK/06.PRT
CAD FILENAME/LAYERS	V10395AK_DC/06A.PRT
<h1>PANDUIT</h1> CORP. TINLEY PARK, ILLINOIS	
<b>CN2 CABINET CONFIGURATION CUSTOMER DRAWING</b>	

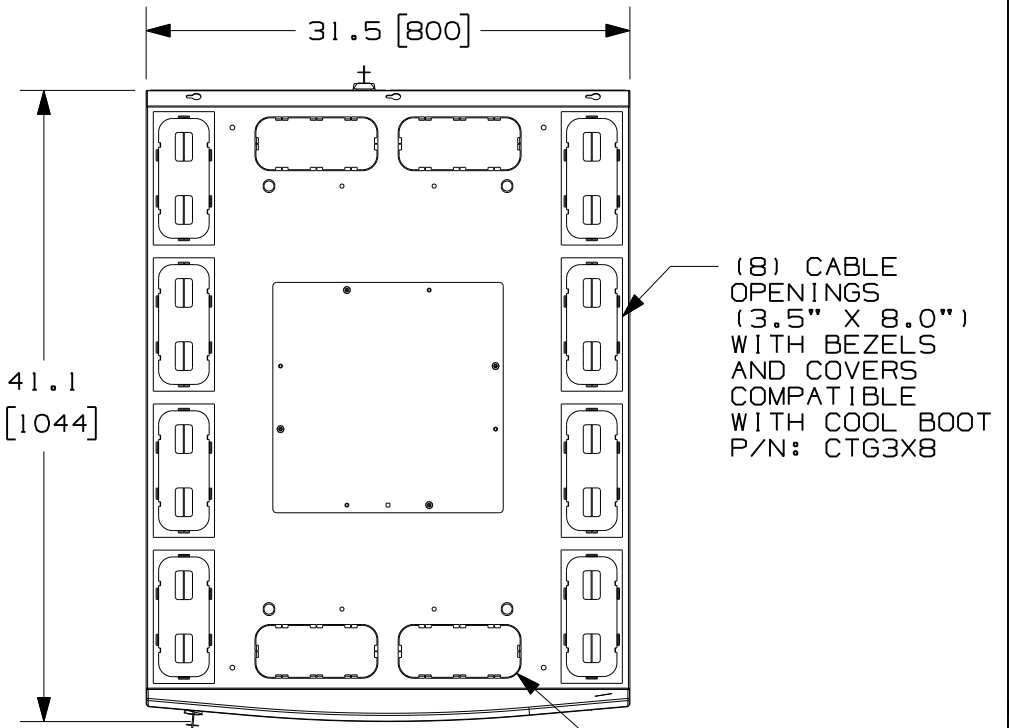
										UNLESS OTHERWISE SPECIFIED, DIMENSIONAL TOLERANCES ARE: INCHES    +/- 0.06    [METRIC - MILLIMETER]    ANGLE X.X       +/- 0.03    X       +/- 1.5 X.XX      +/- 0.015    X.X      +/- 0.8 X.XXX     +/- 0.015    X.XX     +/- 0.4       +/- 1°	UNLESS OTHERWISE SPECIFIED, ALL DIMENSIONS ARE GIVEN IN INCHES, THIRD ANGLE PROJECTION.	
06A	2-22-11	LEE	TKW	SEE SHEET 1 OF 4 FOR REVISIONS	10395-14					DRAWN BY JDWE	MAT'L:  SCALE NONE	
00	7-31-06	JDWE	SJA	SEE SHEET 1 OF 3 FOR REVISIONS	10395-14					DATE 7-31-06		DRAWING NO. 10395-14
REV	DATE	BY	CHK	DESCRIPTION	ECN	R	CUST	SUP	OTH	CHK'D SJA		SHEET 2 OF 4

THIS COPY IS PROVIDED ON A RESTRICTED BASIS AND IS NOT TO BE USED IN ANY WAY DETRIMENTAL TO THE INTERESTS OF PANDUIT CORP.



CROSS BEAMS ARE MARKED EVERY 1/2" FOR EQUIPMENT RAIL ALIGNMENT

SPLIT DOORS AND DUAL HINGE DOOR NOT SHOWN



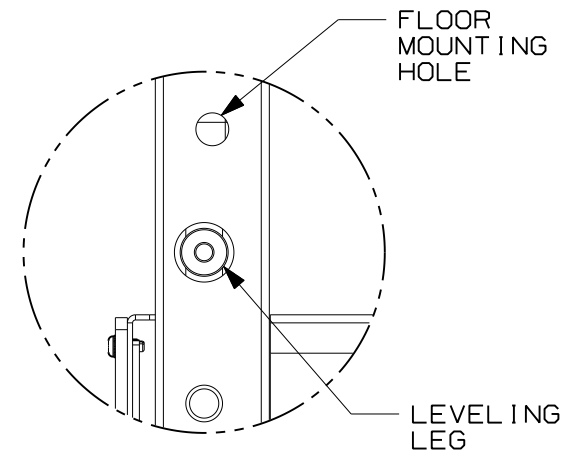
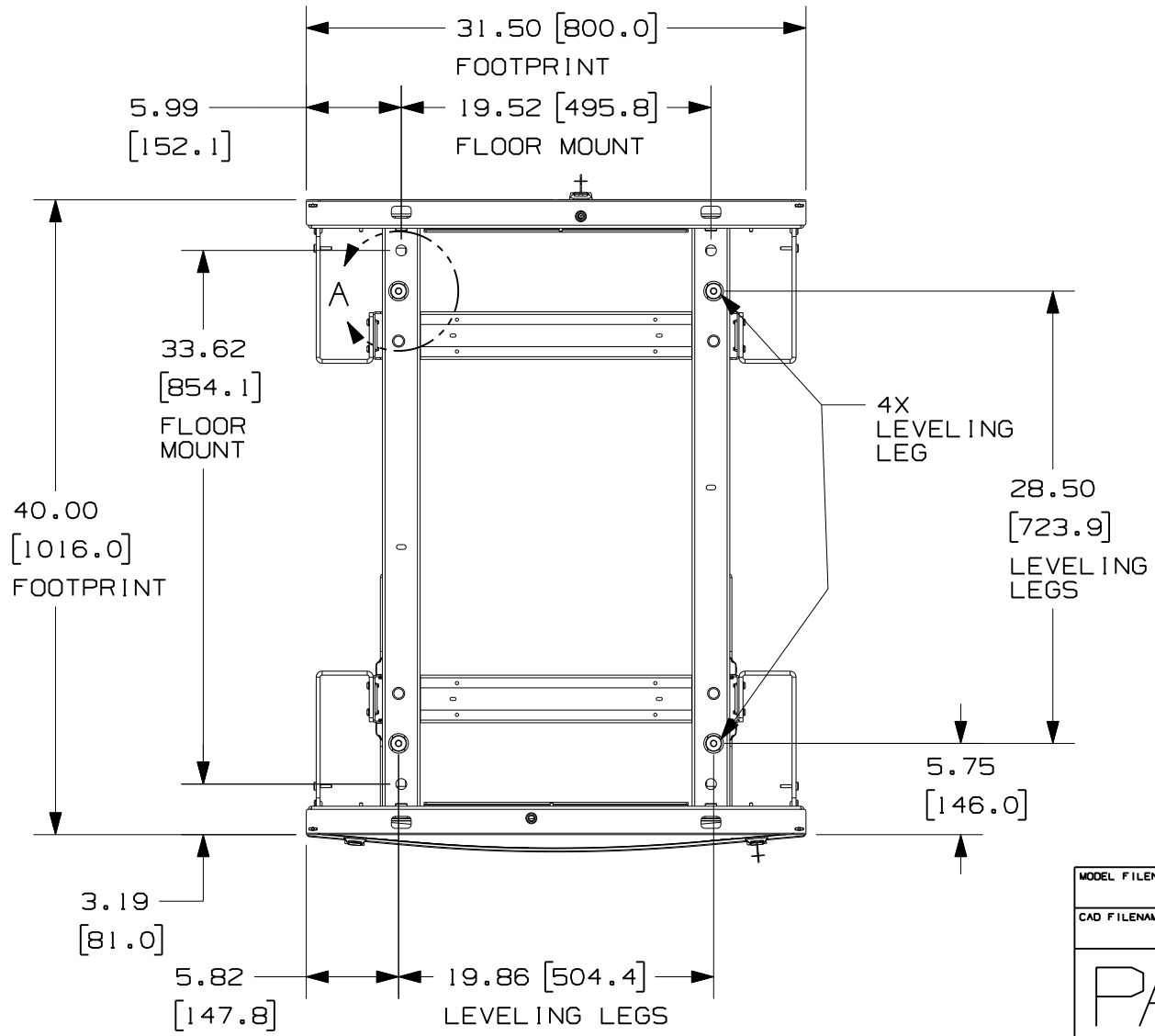
TOP VIEW

MODEL FILENAME	V10395AK/06.PRT
CAD FILENAME/LAYERS	V10395AK_DC/06A.PRT
<h1>PANDUIT</h1> CORP. TINLEY PARK, ILLINOIS	
<b>CN2 CABINET CONFIGURATION CUSTOMER DRAWING</b>	

UNLESS OTHERWISE SPECIFIED, DIMENSIONAL TOLERANCES ARE: INCHES    X.X    +/- 0.06    X.XX    +/- 0.03    X.XXX    +/- 0.015 [METRIC - MILLIMETER]    X.    +/- 1.5    X.X    +/- 0.8    X.XX    +/- 0.4 ANGLE    +/- 1°		UNLESS OTHERWISE SPECIFIED, ALL DIMENSIONS ARE GIVEN IN INCHES, THIRD ANGLE PROJECTION.
DRAWN BY JDWE	MAT'L:	SCALE NONE
DATE 7-31-06	CHK'D SJA	DRAWING NO. 10395-14 SHEET 3 OF 4
REV    DATE    BY    CHK	DESCRIPTION	ECN    R    CUST    SUP    OTH

06A	2-22-11	LEE	TKW	SEE SHEET 1 OF 4 FOR REVISIONS	10395-14	JDWE			
00	7-31-06	JDWE	SJA	SEE SHEET 1 OF 3 FOR REVISIONS	10395-14				

THIS COPY IS PROVIDED ON A RESTRICTED BASIS AND IS NOT TO BE USED IN ANY WAY DETRIMENTAL TO THE INTERESTS OF PANDUIT CORP.



**DETAIL A**  
SCALE 1:4

**FRONT OF CABINET  
BOTTOM VIEW**

MODEL FILENAME	V10395AK/06.PRT
CAD FILENAME/LAYERS	V10395AK_DC/06A.PRT
<b>PANDUIT</b> CORP. TINLEY PARK, ILLINOIS	
CN2 CABINET CONFIGURATION CUSTOMER DRAWING	

UNLESS OTHERWISE SPECIFIED, DIMENSIONAL TOLERANCES ARE:		UNLESS OTHERWISE SPECIFIED,	
INCHES	[METRIC - MILLIMETER]	ALL DIMENSIONS ARE GIVEN	
X.X +/- 0.06	X +/- 1.5	IN INCHES, THIRD ANGLE PROJECTION.	
X.XX +/- 0.03	X.X +/- 0.8		
X.XXX +/- 0.015	X.XX +/- 0.4		
DRAWN BY JDWE		SCALE NONE	
DATE 7-31-06		DRAWING NO.	
CHK'D SJA		10395-14	
		SHEET 4 OF 4	
		DWG SIZE A	

REV	DATE	BY	CHK	DESCRIPTION	ECN	R	CUST	SUP	OTH
06A	2-22-11	LEE	TKW	SEE SHEET 1 OF 4 FOR REVISIONS	10395-14		JDWE		
00	7-31-06	JDWE	SJA	SEE SHEET 1 OF 3 FOR REVISIONS	10395-14				