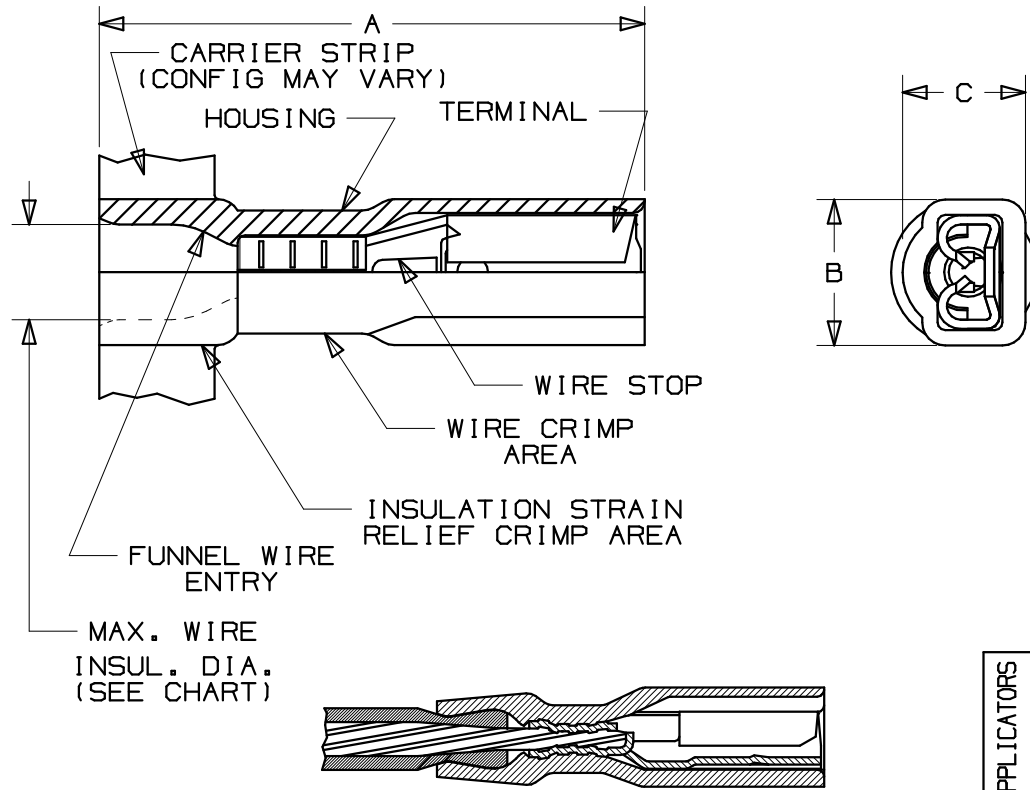


THIS COPY IS PROVIDED ON A RESTRICTED BASIS AND IS NOT TO BE USED IN ANY WAY DETRIMENTAL TO THE INTERESTS OF PANDUIT CORP.



NOTES:

- UL LISTED & CSA CERTIFIED FOR:
 - A. 600V MAX VOLTAGE RATING
 - B. 105°C (221°F) MAX TEMP RATING
 - C. STRANDED AWG COPPER WIRE ONLY
 - D. 26,7-53,4N INITIAL INSERTION/WITHDRAWAL FORCE
- PACKAGE QTY: 3K=3000 PIECES, 2K=2000 PIECES
CONTINUOUS MOLDED STRIP CARRIER
- MATERIAL:
 - A. STAMPING-CDA 260 BRASS, TIN PLATED
 - B. HOUSING-PREMIUM GRADE NYLON FOR SUPERIOR STRAIN RELIEF INSULATION CRIMPING
- DIMENSIONS IN BRACKETS ARE IN INCHES
- NYLON HOUSING IS OPAQUE
- WIRE STRIP LENGTH: $5,6^{+0,8}_{-0}$ ($7/32^{+1/32}_{-0}$)

		PANDUIT PRESS					
		CP-851 <i>DISCONTINUED</i>	CP-860 <i>DISCONTINUED</i>	CP-861	CP-862	CP-871 60HZ	CP-871/E 50HZ
APPLICATORS	CA-800		X	X			
	CA-800EZ	X				X	X
	CA9				X	X	X

SECTION VIEW OF CRIMPED DISCONNECT

PART NUMBER	TAB SIZE	WIRE RANGE mm ² (AWG)	COLOR (note 5)	MAX. INSUL. DIA.	MIN. INSUL. DIA.	DIMENSIONS mm		
						A ± ^{0,8} _(.03)	B ± ^{0,3} _(.01)	C ± ^{0,5} _(.02)
DMPF1-288F1B-3K	2,8 X 0,8 (.110 X .032)	0,5-1,0 (22-18)	RED	3,4 (.13)	1,3 (.05)	18,0 (.71)	4,8 (.19)	4,3 (.17)
DMPF1-285F1B-3K	2,8 X 0,5 (.110 X .020)	0,5-1,0 (22-18)	RED	3,4 (.13)	1,3 (.05)	18,0 (.71)	4,8 (.19)	4,3 (.17)



A41645_03

REV	DATE	BY	CHK	DESCRIPTION	ECN #	CUST	PM
03	3/06	DAW	DAW	ADDED PANDUIT PRESS & APPLICATOR CHART	TR00083		
02	11/04	KLFU	SKB	ADDED GEOMETRY; UPDATED TOOL CHART	12453	TRO	SKB
01	7/98	TM	RLS	UPDATED PART NUMBERS AND WIRE RANGES	07035	LA	DSH
00	9/97	TM	WB	RELEASED	06192	LA	DH



CORP.

TINLEY PARK, ILLINOIS

REELSMART™ DISCOGRIP™
FULLY INSULATED FEMALE DISCONNECTS
2,8 X 0,8 , 2,8 X 0,5 TAB SIZES

DRAWN BY TMSA	CHK'D WB	SCALE NONE	DRAWING NO. A41645
------------------	-------------	---------------	-----------------------