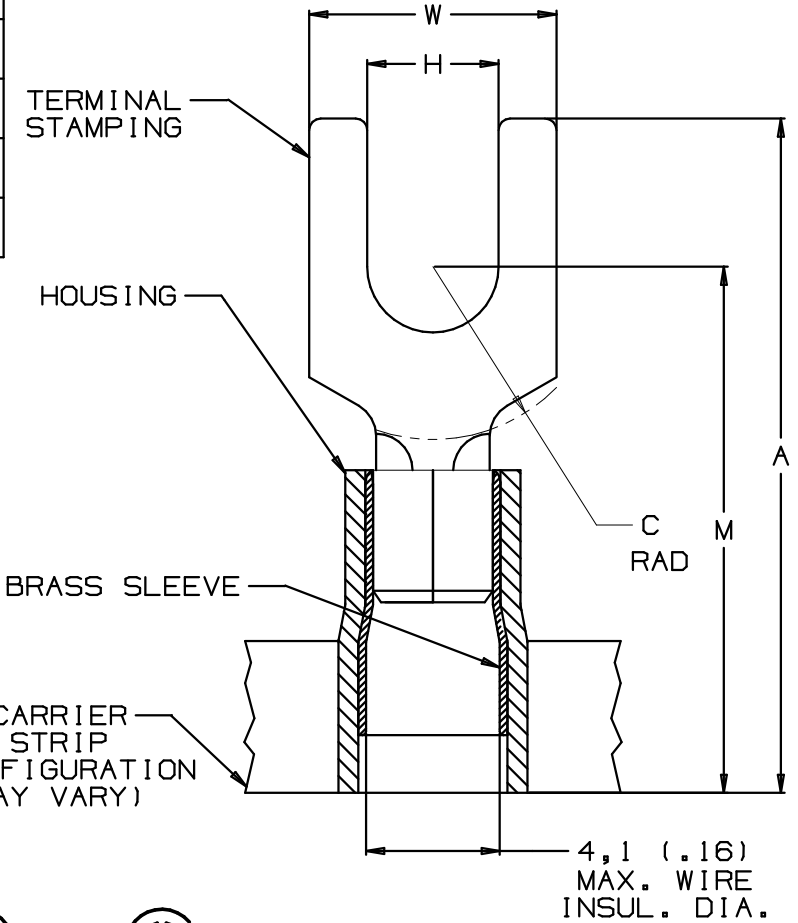


THIS COPY IS PROVIDED ON A RESTRICTED BASIS AND IS NOT TO BE USED IN ANY WAY DETRIMENTAL TO THE INTERESTS OF PANDUIT CORP.

PART NUMBER	STUD SIZE	WIRE RANGE mm ² (AWG)	DIMENSIONS mm				
			A ±.80 (.03)	W ±.25 (.01)	C ±.38 (.01)	M ±.50 (.02)	H ±.50 (.02)
PMN2-3F-3K	M3	1,5-2,5 (16-14)	19,8 (.78)	5,9 (.23)	5,1 (.20)	16,3 (.64)	3,3 (.13)
PMN2-4F-3K	M4	1,5-2,5 (16-14)	21,3 (.84)	7,9 (.31)	5,9 (.23)	17,3 (.68)	4,6 (.18)
PMN2-5F-3K	M5	1,5-2,5 (16-14)	21,9 (.86)	8,6 (.34)	6,4 (.25)	17,8 (.70)	5,3 (.21)
PMN2-6F-3K	M6	1,5-2,5 (16-14)	26,2 (1.02)	11,2 (.44)	8,5 (.33)	19,8 (.78)	6,9 (.27)

NOTES:

- USED FOR:
 - A. 600V MAX. BUILDING WIRE
1000V MAX. IN SIGNS, FIXTURES, AND LUMINAIRES
 - B. 105°C (221°F) MAX. TEMP. RATING OF INSUL MAT'L
 - C. STRANDED COPPER WIRE ONLY
- PACKAGE QTY:
3K = 3000 PCS. ON CONTINUOUSLY MOLDED CARRIER STRIP
- MATERIAL:
 - A. STAMPING: .81 (.03) THK. COPPER, TIN PLATED
 - B. SLEEVE: BRASS, TIN PLATED
 - C. HOUSING: TYPE 6/6 NYLON, BLUE
- WIRE STRIP LENGTH: $5,6^{+8}_{-0}$ ($7/32^{+1/32}_{-0}$)
- DIMENSIONS IN BRACKETS ARE IN INCHES OR AWG
- UL LISTED AND CSA CERTIFIED WITH COPPER 16-14AWG WIRE ONLY



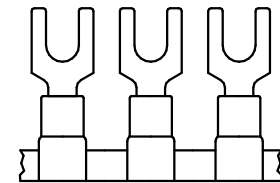
		PANDUIT PRESS					
		CP-851 <i>DISCONTINUED</i>	CP-860 <i>DISCONTINUED</i>	CP-861	CP-862	CP-871 60HZ	CP-871/E 50HZ
APPLICATORS	CA-800		X	X			
	CA-800EZ	X				X	X
	CA9				X	X	X



LISTED
587H
E52164



CERTIFIED
LR31212



A41611-01

				PANDUIT CORP. TINLEY PARK, ILLINOIS		
01	3/06	DAW	DAW	ADDED PANDUIT PRESS & APPLICATOR CHART	TR00083	
00	9/97	JKD	WJB	RELEASED	6191	LA DBH
REV	DATE	BY	CHK	DESCRIPTION	ECN #	CUST PM
					TSM	CHK'D
				SCALE	NONE	DRAWING NO. A41611

PANDUIT

CORP.

TINLEY PARK, ILLINOIS

1,5-2,5 mm² METRIC CONTINUOUSLY MOLDED, NYLON INSULATED FORK TERMINAL

DRAWN BY

TSM

CHK'D

SCALE

NONE

DRAWING NO.

A41611