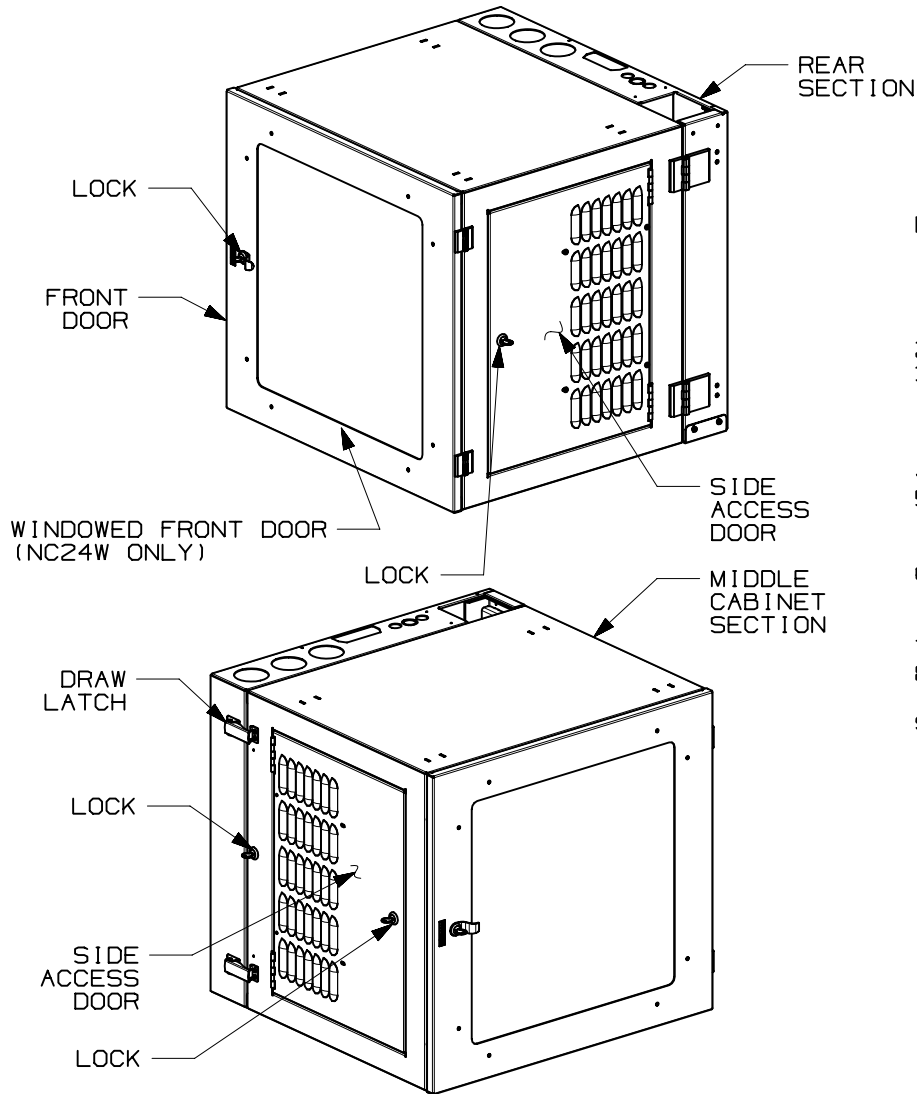


THIS COPY IS PROVIDED ON A RESTRICTED BASIS AND IS NOT TO BE USED IN ANY WAY DETRIMENTAL TO THE INTERESTS OF PANDUIT CORP.



PANDUIT PART NO.	WEIGHT
NC24S	110 LBS/EACH 49.89 kg/EACH
NC24W	110 LBS/EACH 49.89 kg/EACH



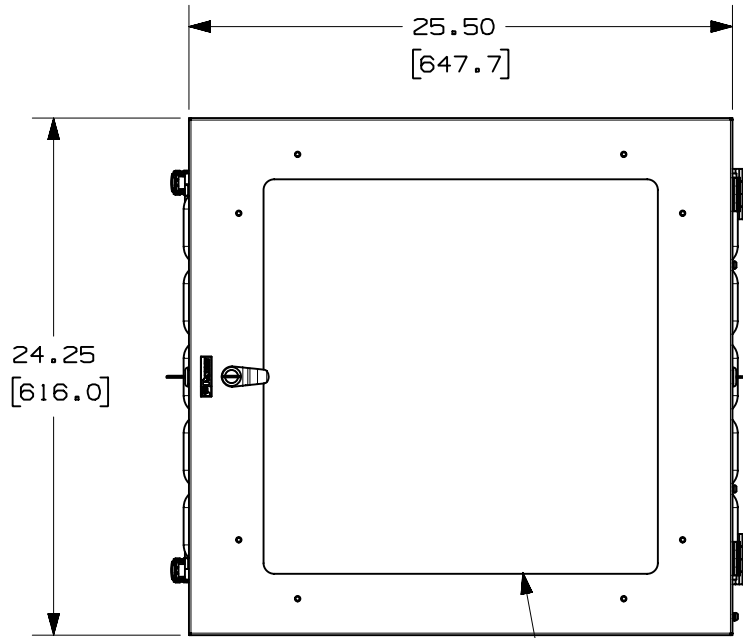
NOTES:

- VISIT OUR ON-LINE CATALOG AT [WWW.PANDUIT.COM](http://WWW.PANDUIT.COM) FOR A LIST OF CURRENT PARTS APPLICABLE FOR USE WITH THIS PRODUCT.
- DIMENSIONS IN PARENTHESES ARE METRIC (mm).
- CAN BE USED WITH ANY 19" EIA STANDARD COMPONENT UP TO 16.5" DEEP IN ADDITION TO ALL PANDUIT HORIZONTAL CABLE MANGEMENT AND PATCH PANEL PRODUCTS.
- 12 AVAILBLE RACK SPACES.
- EIA UNIVERSAL STANDARD HOLE PROGRESSION ON VERTICAL EQUIPMENT MOUNTING ANGLES: .625", .625, .500", .625", .625", ...ETC.
- VERTICAL EQUIPMENT MOUNTING ANGLES ARE ADJUSTABLE FRONT TO REAR OF CABINET ON 1" INCREMENTS.
- LOAD CAPACITY, 200-LBS.
- INSTALLS IN EITHER A HINGED RIGHT OR HINGED LEFT APPLICATION.
- MULTIPLE CABINET ACCESSS POINTS; FRONT, REAR AND BOTH SIDES.
- MATERIAL: STEEL- POWDER COATED BLACK
- WINDOWED FRONT DOOR AVAILABLE ON NC24W ONLY.

MODEL FILENAME		V10138AA_12RU_HWMC_05.PRT	
CAD FILENAME/LAYERS		V10138AA_DC_05B.PRT	
<h1>PANDUIT</h1> CORP. TINLEY PARK, ILLINOIS			
NC24S / NC24W - CABLEACCESS 24 CUSTOMER DRAWING			
UNLESS OTHERWISE SPECIFIED, DIMENSIONAL TOLERANCES ARE:		UNLESS OTHERWISE SPECIFIED,	
INCHES	±/-.06	[METRIC - MILLIMETER]	ANGLE
X.X	±/-.06	X	±/-.15
X.XX	±/-.06	X.X	±/-.15
X.XXX	±/-.03	X.XX	±/-.08
DRAWN BY		SCALE	
JDWE		NONE	
DATE		SEE NOTES	
3-22-04			
CHK'D		DRAWING NO.	
SJA		10138-59	
		SHHET 1 OF 5	
		DWG	
		A	
		SIZE	

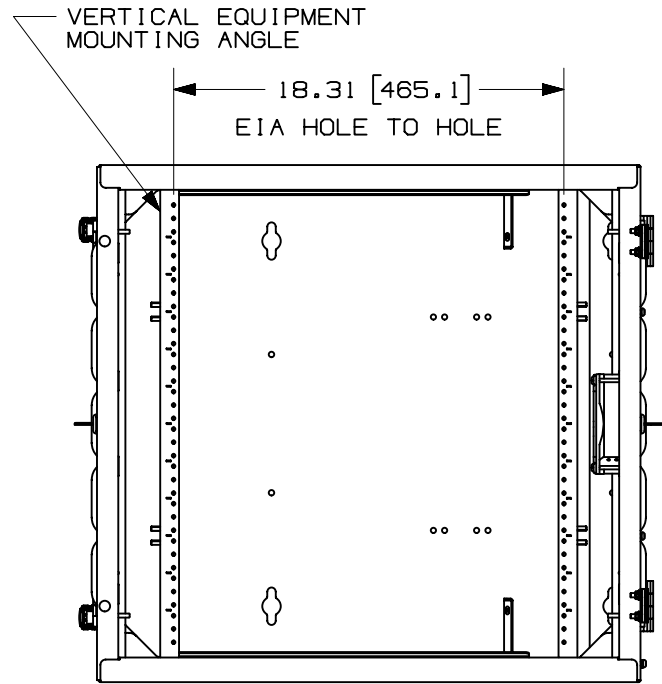
REV	DATE	BY	CHK	DESCRIPTION	ECN	R	CUST	SUP	OTH
2	4-25-05	RYB		A. ADDED NC24W PART NUMBER	10138-59				
1	7-21-04	TKW	SJA	CHANGED PART NAME FROM NETCUBE TO CABLEACCESS	10138-59	SJA	BAS	BAS	
R	3-22-04	JDWE	SJA	RELEASED TO PRODUCTION	10138-59	SJA	BAS	BAS	

THIS COPY IS PROVIDED ON A RESTRICTED BASIS AND IS NOT TO BE USED IN ANY WAY DETRIMENTAL TO THE INTERESTS OF PANDUIT CORP.



FRONT VIEW

WINDOWED FRONT DOOR  
(NC24W ONLY)



FRONT VIEW - DOOR REMOVED

MODEL FILENAME V10138AA\_12RU\_HWMC\_06.PRT

CAD FILENAME/LAYERS V10138AA\_DC\_06A.PRT

**PANDUIT** CORP. TINLEY PARK, ILLINOIS

NC24S / NC24W CABLEACCESS 24  
CUSTOMER DRAWING

UNLESS OTHERWISE SPECIFIED, DIMENSIONAL TOLERANCES ARE:  
 INCHES +/- 0.06 [METRIC - MILLIMETER] ANGLE  
 X.X +/- 0.06 X.X +/- 1.5  
 X.XX +/- 0.03 X.X +/- 1.5 +/- 1°  
 X.XXX +/- 0.03 X.XX +/- 0.8

UNLESS OTHERWISE SPECIFIED,  
 ALL DIMENSIONS ARE GIVEN  
 IN INCHES, THIRD ANGLE PROJECTION.

REV	DATE	BY	CHK	DESCRIPTION	ECN	R	CUST	SUP	OTH
2	4-25-05	RYB		SEE SHEET 1 FOR REVISIONS	10138-59				
1	7-21-04	TKW	SJA	SEE SHEET 1 FOR REVISIONS	10138-59	SJA	BAS	BAS	
R	3-22-04	JDWE	SJA	SEE SHEET 1 FOR REVISIONS	10138-59	SJA	BAS	BAS	

DRAWN BY JDWE

MAT'L:

DATE 3-22-04

SEE NOTES

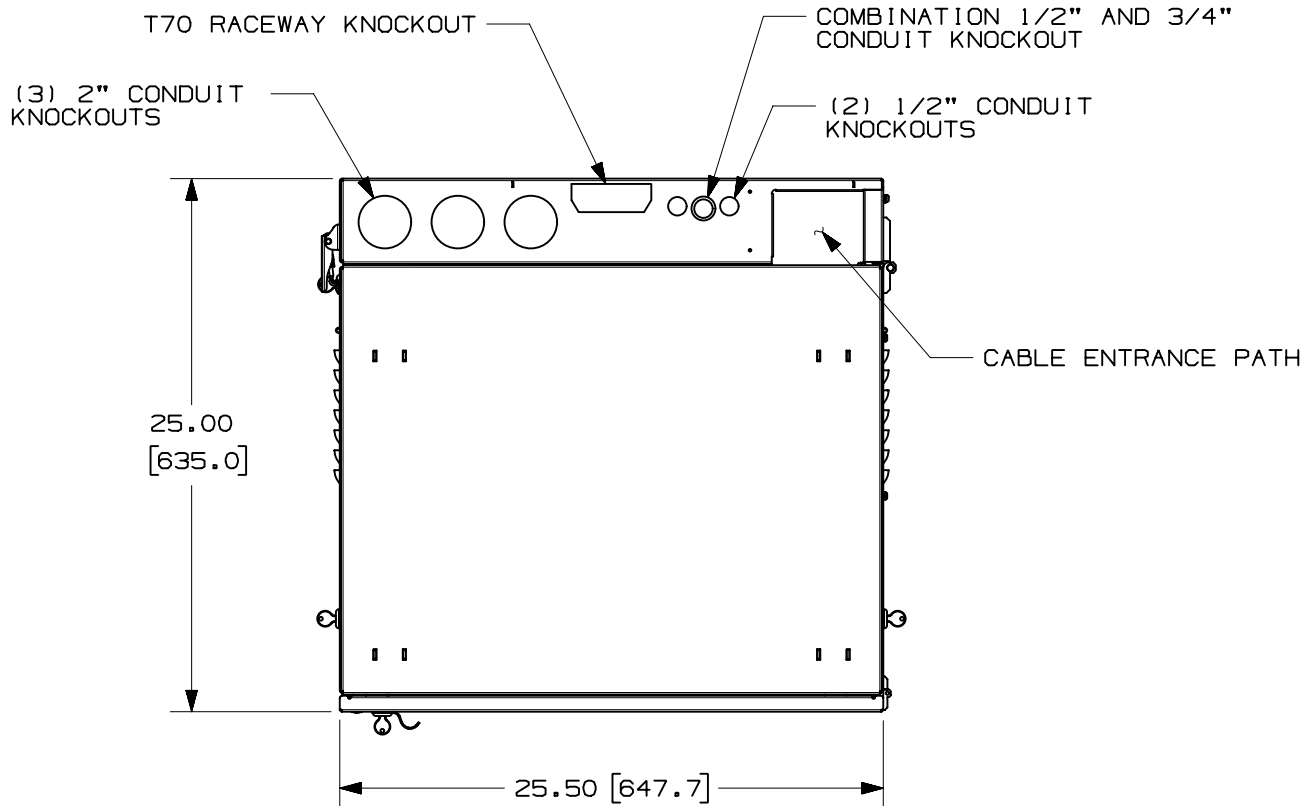
SCALE NONE

CHK'D SJA

DRAWING NO.  
10138-59  
SHEET 2 OF 5

DWG  
A  
SIZE

THIS COPY IS PROVIDED ON A RESTRICTED BASIS AND IS NOT TO BE USED IN ANY WAY DETRIMENTAL TO THE INTERESTS OF PANDUIT CORP.



TOP / BOTTOM VIEW

MODEL FILENAME V10138AA\_12RU\_HWMC\_06.PRT

CAD FILENAME/LAYERS V10138AA\_DC\_06A.PRT

PANDUIT CORP. TINLEY PARK, ILLINOIS

NC24S / NC24W CABLEACCESS 24  
CUSTOMER DRAWING

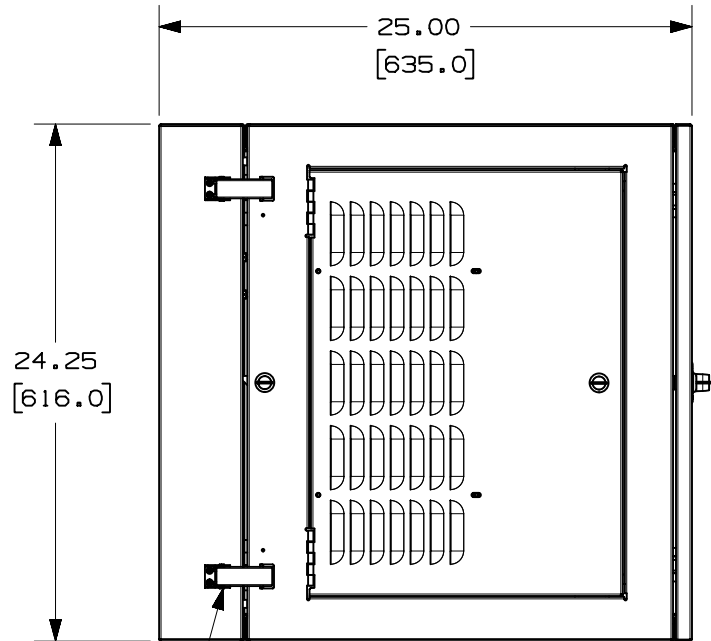
UNLESS OTHERWISE SPECIFIED, DIMENSIONAL TOLERANCES ARE:  
 INCHES +/- 0.06 [METRIC - MILLIMETER] ANGLE  
 X.X +/- 0.06 X.X +/- 1.5  
 X.XX +/- 0.06 X.X +/- 1.5 +/- 1°  
 X.XXX +/- 0.03 X.XX +/- 0.8  
 ALL DIMENSIONS ARE GIVEN IN INCHES, THIRD ANGLE PROJECTION.

REV	DATE	BY	CHK	DESCRIPTION	ECN	R	CUST	SUP	OTH
2	4-25-05	RYB		SEE SHEET 1 FOR REVISIONS	10138-59				
1	7-21-04	TKW	SJA	SEE SHEET 1 FOR REVISIONS	10138-59				
R	3-22-04	JDWE	SJA	SEE SHEET 1 FOR REVISIONS	10138-59	SJA	BAS	BAS	

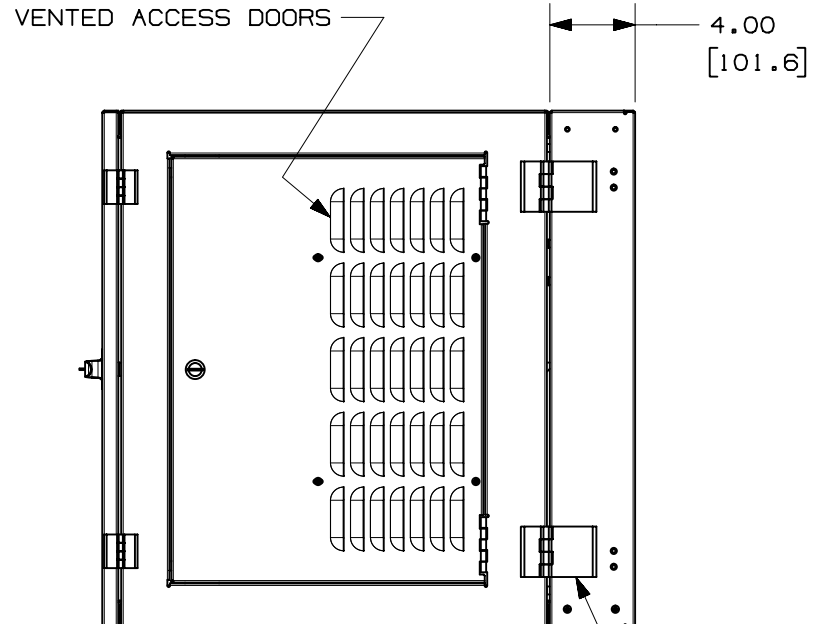
DRAWN BY JDWE	MAT'L:	SCALE NONE
DATE 3-22-04		DRAWING NO. 10138-59 SHHET 3 OF 5
CHK'D SJA		DWG A SIZE

SEE NOTES

THIS COPY IS PROVIDED ON A RESTRICTED BASIS AND IS NOT TO BE USED IN ANY WAY DETRIMENTAL TO THE INTERESTS OF PANDUIT CORP.



LATCH SIDE VIEW



HINGE SIDE VIEW

DRAW LATCHES

HINGES

MODEL FILENAME V10138AA\_12RU\_HWMC\_06.PRT

CAD FILENAME/LAYERS V10138AA\_DC\_06A.PRT

PANDUIT CORP. TINLEY PARK, ILLINOIS

NC24S / NC24W CABLEACCESS 24 CUSTOMER DRAWING

REV	DATE	BY	CHK	DESCRIPTION	ECN	R	CUST	SUP	OTH
2	4-25-05	RYB		SEE SHEET 1 FOR REVISIONS	10138-59				
1	7-21-04	TKW	SJA	SEE SHEET 1 FOR REVISIONS	10138-59	SJA	BAS	BAS	
R	3-22-04	JDWE	SJA	SEE SHEET 1 FOR REVISIONS	10138-59	SJA	BAS	BAS	

UNLESS OTHERWISE SPECIFIED, DIMENSIONAL TOLERANCES ARE:  
 INCHES +/- 0.06 [METRIC - MILLIMETER] ANGLE  
 X.X +/- 0.06 X.X +/- 1.5  
 X.XX +/- 0.06 X.X +/- 1.5  
 X.XXX +/- 0.03 X.XX +/- 0.8

UNLESS OTHERWISE SPECIFIED,  
 ALL DIMENSIONS ARE GIVEN  
 IN INCHES, THIRD ANGLE PROJECTION.

DRAWN BY JDWE

MAT'L:

SCALE NONE

DATE 3-22-04

SEE NOTES

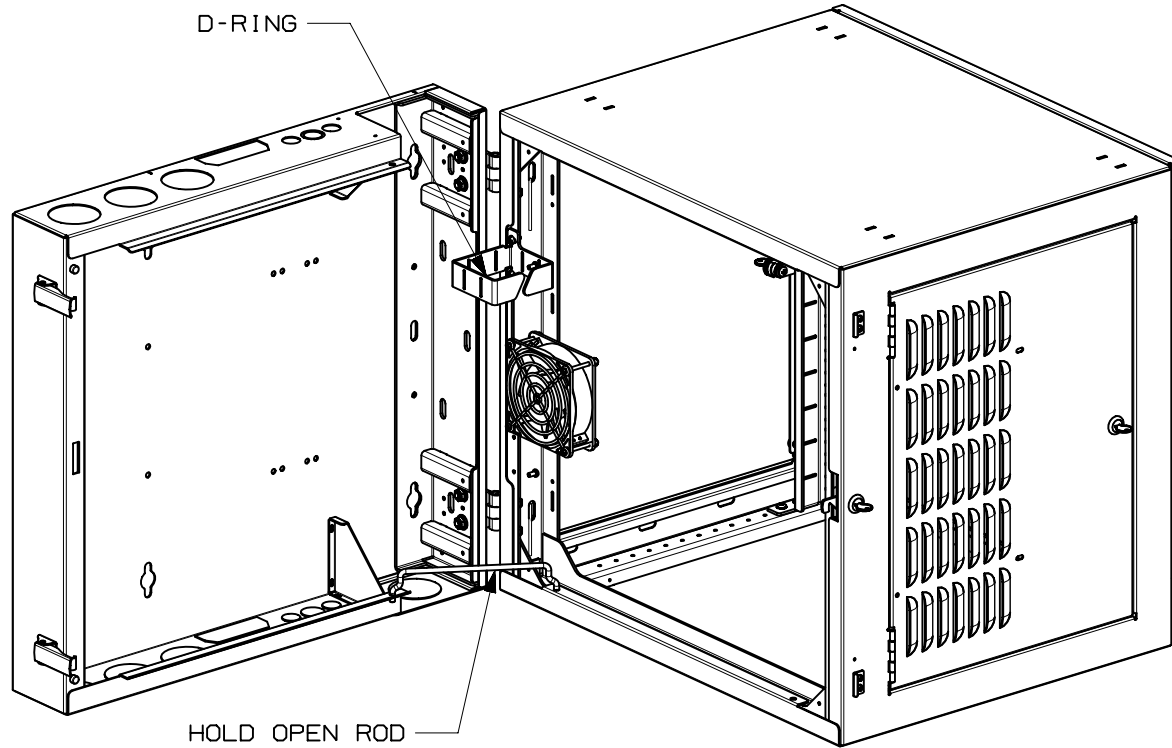
DRAWING NO. 10138-59

CHK'D SJA

SHEET 4 OF 5

DWG A SIZE

THIS COPY IS PROVIDED ON A RESTRICTED BASIS AND IS NOT TO BE USED IN ANY WAY DETRIMENTAL TO THE INTERESTS OF PANDUIT CORP.



CABINET IN OPEN POSITION

MODEL FILENAME V10138AA\_12RU\_HWMC\_06.PRT

CAD FILENAME/LAYERS V10138AA\_DC\_06A.PRT

**PANDUIT** CORP. TINLEY PARK, ILLINOIS

NC24S / NC24W - CABLEACCESS 24  
CUSTOMER DRAWING

UNLESS OTHERWISE SPECIFIED, DIMENSIONAL TOLERANCES ARE:	UNLESS OTHERWISE SPECIFIED,
INCHES +/- 0.06 [METRIC - MILLIMETER] ANGLE	ALL DIMENSIONS ARE GIVEN
X.X +/- 0.06 X.X +/- 1.5	IN INCHES, THIRD ANGLE PROJECTION.
X.XXX +/- 0.03 X.XX +/- 0.8	

REV	DATE	BY	CHK	DESCRIPTION	ECN	R	CUST	SUP	OTH
2	4-25-05	RYB		SEE SHEET 1 FOR REVISIONS	10138-59				
1	7-21-04	TKW	SJA	SEE SHEET 1 FOR REVISIONS	10138-59	SJA	BAS	BAS	
R	3-22-04	JDWE	SJA	SEE SHEET 1 FOR REVISIONS	10138-59	SJA	BAS	BAS	

DRAWN BY JDWE	MAT'L:	SCALE NONE
DATE 3-22-04	SEE NOTES	DRAWING NO. 10138-59
CHK'D SJA		SHHET 5 OF 5
		DWG A SIZE