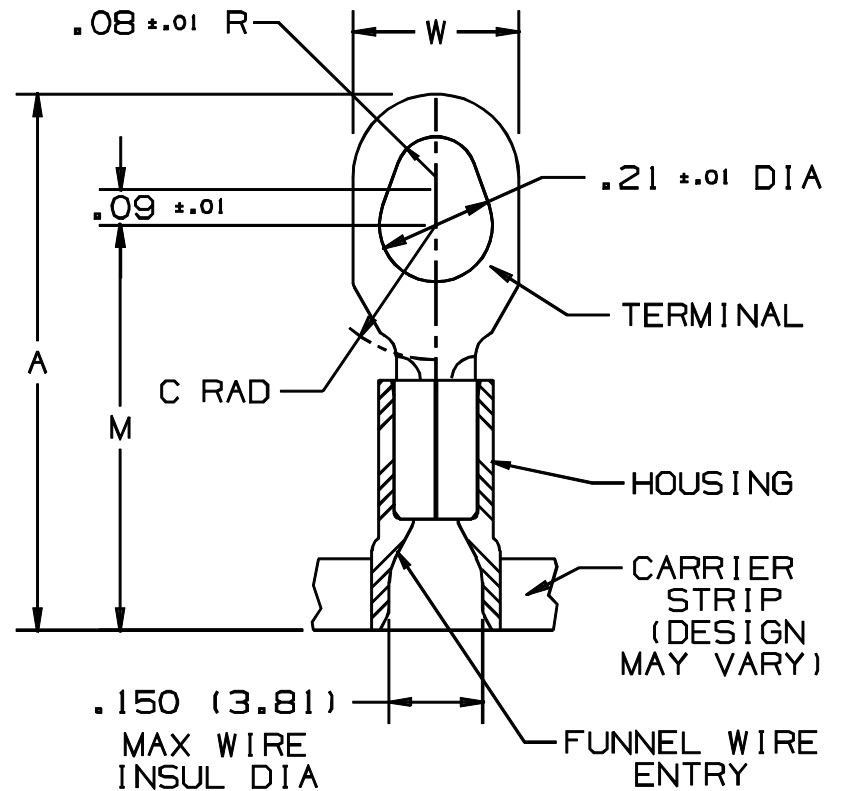


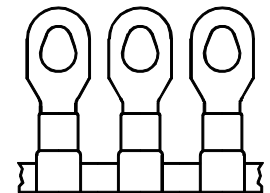
THIS COPY IS PROVIDED ON A RESTRICTED BASIS AND IS NOT TO BE USED IN ANY WAY DETRIMENTAL TO THE INTERESTS OF PANDUIT CORP.

PANDUIT PART NUMBER	STUD SIZE	DIMENSIONS in.			
		A $\pm .03$	W $\pm .01$	C $\pm .02$	M $\pm .03$
PV18-610RB-3K	#6, #8, #10	.95 (24.13)	.31 (7.87)	.25 (6.35)	.70 (17.78)



**NOTES:**

- USED FOR:
  - A. 600V MAX VOLTAGE RATING
  - B. 221°F (105°C) MAX TEMP RATING
  - C. 22-18 AWG (1.5-1.5mm<sup>2</sup>) SOLID OR STRANDED COPPER WIRE
- INSTALLATION TOOLS:
  - A. PRESSES - CP-851, CP-860, CP-861
  - B. APPLICATOR - CA-800
  - C. DIE INSERTS - CD-800-1
- WIRE STRIP LENGTH: 1/4 <sup>+1/32</sup> .0 (6.4 <sup>+.8</sup> .0)
- MATERIAL:
  - A. TERMINAL STAMPING: .032 (.81) THICK TIN PLATED COPPER
  - B. HOUSING : RED VINYL
- PACKAGING:
  - A. BULK ONLY: -3K = 3000 PCS ON CONTINUOUS MOLDED CARRIER STRIP
- DIMENSIONS IN BRACKETS ARE IN MILLIMETERS OR mm<sup>2</sup>



A41593\_01

				<b>PANDUIT</b> CORP. TINLEY PARK, ILLINOIS							
01	1/01	RM		FILESPEC WAS N41593AA_PCD_00		PV18-610RB-3K, REELSMART™ TERMO™ VINYL INSULATED MULTI-STUD TERMINAL					
00	3/96	ED		RELEASED	04189						
REV	DATE	BY	CHK	DESCRIPTION	ECN #	CUST	PM	DRAWN BY EJD	CHK'D	SCALE NONE	DRAWING NO. A41593