



Extract from the online catalog

PLC-OSC-125DC/ 48DC/100

Order No.: 2980047

The illustration shows the version PLC-BSC- 24DC/21



<http://eshop.phoenixcontact.de/phoenix/treeViewClick.do?UID=2980047>

PLC RELAY, consisting of base terminal block PLC-BSC... with screw connection and pluggable miniature optocoupler, for mounting on NS 35/7.5, input: 125 V DC, output: 3 - 48 V DC/100 mA

Commercial data	
EAN	4017918619060
Pack	10 pcs.
Customs tariff	85364190
Weight/Piece	0.03404 KG
Catalog page information	Page 78 (IF-2009)

Product notes

WEEE/RoHS-compliant since:
04/23/2007

<http://www.download.phoenixcontact.com>
Please note that the data given here has been taken from the online catalog. For comprehensive information and data, please refer to the user documentation. The General Terms and Conditions of Use apply to Internet downloads.

Technical data

Input data	
Nominal input voltage U_N	125 V DC
Input voltage range in reference to U_N	0.8 ... 1.1
Switching threshold "0" signal in reference to U_N	≤ 0.4

PLC-OSC-125DC/ 48DC/100 Order No.: 2980047
<http://eshop.phoenixcontact.de/phoenix/treeViewClick.do?UID=2980047>

Switching threshold "1" signal in reference to U_N	≥ 0.8
Typical input current at U_N	3 mA
Typical response time	1 ms (at U_N)
Typical turn-off time	3 ms (at U_N)
Status display	Yellow LED
Transmission frequency	50 Hz

Output data

Output nominal voltage range	3 V DC ... 48 V DC
Limiting continuous current	100 mA
Voltage drop at max. limiting continuous current	≤ 1 V
Output circuit	2-conductor floating
Name of protection	Polarity protection
	Surge protection
Protective circuit/component	Polarity protection diode

Connection data

Type of connection	Screw connection
Stripping length	8 mm
Screw thread	M3
Conductor cross section solid min.	0.14 mm ²
Conductor cross section solid max.	2.5 mm ²
Conductor cross section stranded min.	0.14 mm ²
Conductor cross section stranded max.	2.5 mm ²
Conductor cross section AWG/kcmil min.	26
Conductor cross section AWG/kcmil max	14

General data

Width	6.2 mm
Height	94 mm
Depth	80 mm
Ambient temperature (operation)	-25 °C ... 60 °C
Ambient temperature (storage/transport)	-25 °C ... 70 °C
Mounting position	Any
Assembly instructions	In rows with zero spacing
Operating mode	100% operating factor
Inflammability class in acc. with UL 94 (housing)	V0

PLC-OSC-125DC/ 48DC/100 Order No.: 2980047
<http://eshop.phoenixcontact.de/phoenix/treeViewClick.do?UID=2980047>

Pollution degree	2
Surge voltage category	III

Certificates / Approvals

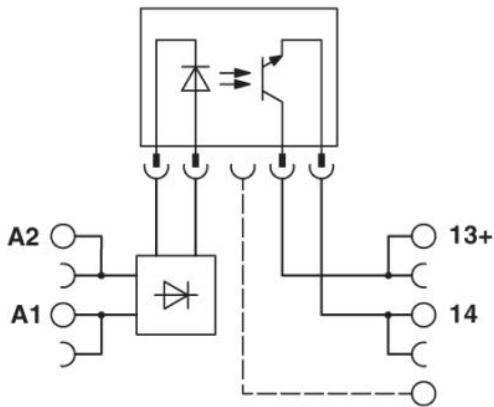


Certification

CUL Listed, GL, UL Listed

Diagrams/Drawings

Circuit diagram



PLC-OSC-125DC/ 48DC/100 Order No.: 2980047
<http://eshop.phoenixcontact.de/phoenix/treeViewClick.do?UID=2980047>

Address

PHOENIX CONTACT Deutschland GmbH
Flachmarktstr. 8
32825 Blomberg, Germany
Phone +49 5235 3 12000
Fax +49 5235 3 41200
<http://www.phoenixcontact.de>



© 2010 Phoenix Contact
Technical modifications reserved;

onlinecomponents.com