

# Power Optocoupler Terminal Block up to 10 A DEK-OV...

## 1. Brief Description

The Phoenix Contact Interface DEK terminals offer complete interface functions in terminal block housings with a width of only 6.2 mm (0.244 in.) These powerful interfaces do not only share the design of the terminal blocks but also their highly convenient application due to the use of standard terminal accessories.

The DEK family offers the suitable solution for every industrial voltage value for signal input as well as output.

High switching power is a standard feature of DEK-OV optocoupler terminals.

For applications with high switching frequency where electro-mechanical relays rapidly reach the end of their service life you can now apply the wear-resistant power optocoupler DEK-OV terminal block.

Integrated LEDs clearly signal the switching state of electronic terminal blocks and thus create a very good overview of the coupling level and the system.

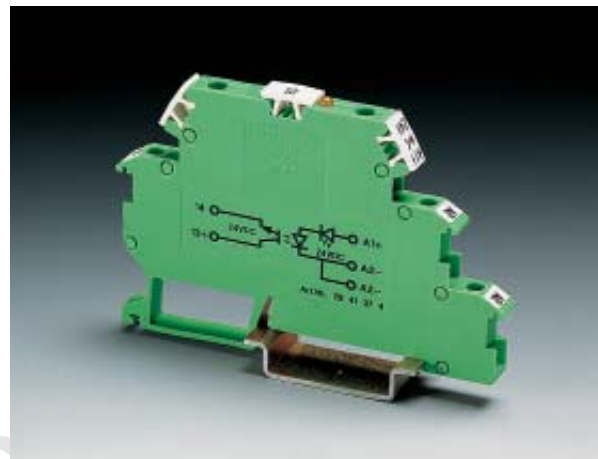
Due to colored EB-DIK jumpering, terminals for supply and measuring signals the wiring is easy and efficient.

Integrated protection circuits such as free-wheeling diodes, diodes against polarity reversal and surge voltage elements protect coupling components and thus provide optimum system availability.

### Powerful Optocoupler Terminals

Powerful interface modules are required to switch actuators and controlling devices such as contactors, solenoid valves or motors directly using cost-efficient digital output cards (low power, no galvanic isolation but high-pos.).

The Phoenix Contact DEK-OV interface terminals offer a complete output interface based on terminal blocks with a width of only 6.2 mm (0.244 in.).

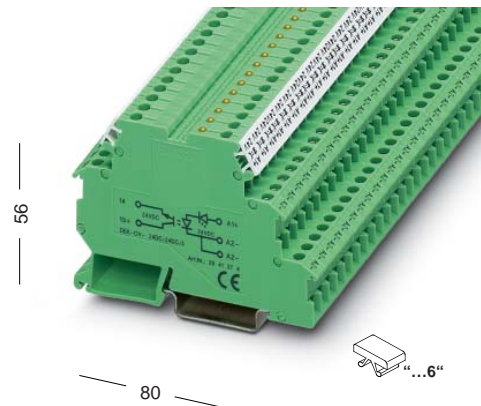
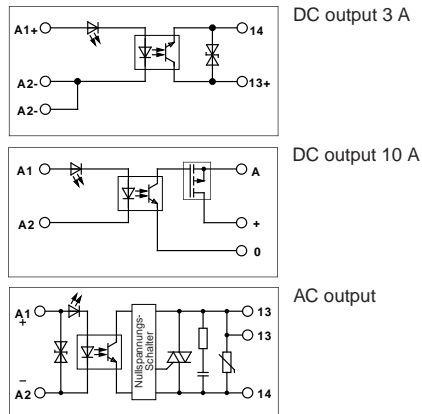


The key features of this power optocoupler include:

- Wear-resistant switching up to 24 V DC/10 A and 240 V AC/800 mA,
- Status display per LED,
- Galvanic isolation between input and output 2,5 kV,
- integrated protective circuit at the output,
- Zero voltage switch at AC output,
- Assembly and labeling is the same as for terminal blocks,
- Jumpering with the EB-DIK jumpers,
- Ambient temperature range - 20 °C (-40°F) up to + 60 °C (140°F),
- Also available as actuator type.

Power optocoupler terminal blocks up to 10 A

2. Technical Data



**DEK-OV...**  
Output up to 10 A max.



	solid [mm <sup>2</sup> ]	stranded	AWG
Connection data	0.2-2.5	0.2-2.5	24-14

Terminal width 6.2 mm (0.244 in.)

Description	Input voltage	Type	Order No.	Pcs. pkt.		
<b>Power optocoupler terminal block,</b> Input: Common mode voltage output: Common mode voltage	5 V DC	DEK-OV- 5DC/24DC/3	29 41 36 1	10		
	12 V DC	DEK-OV-12DC/24DC/3	29 41 38 7	10		
	24 V DC	DEK-OV-24DC/24DC/3	29 41 37 4	10		
	5 V DC	DEK-OV- 5DC/24DC/10	29 61 75 2	10		
	12 V DC	DEK-OV-12DC/24DC/10	29 61 74 9	10		
	24 V DC	DEK-OV-24DC/24DC/10	29 64 32 2	10		
<b>Power optocoupler terminal block,</b> acutator principle, Input: Common mode voltage Output: Common mode voltage	24 V DC	DEK-OV-24DC/24DC/3/AKT	29 64 29 6	10		
<b>Power optocoupler terminal block,</b> Input: Common mode voltage output: AC voltage	5 V DC	DEK-OV- 5DC/240AC/800	29 64 62 3	10		
	12 V DC	DEK-OV-12DC/240AC/800	29 64 63 6	10		
	24 V DC	DEK-OV-24DC/240AC/800	29 64 64 9	10		
(1) Insertion jumper <sup>1)</sup> , for average and lower level	Color: Red	2-pos.	EB 2-DIK RD	$I_{max}$ : 26 A	27 16 69 3	100
	Red	3-pos.	EB 3-DIK RD	26 A	27 16 74 5	100
	Red	4-pos.	EB 4-DIK RD	26 A	27 16 75 8	100
	Red	5-pos.	EB 5-DIK RD	26 A	27 16 76 1	100
	Red	10-pos.	EB 10-DIK RD	26 A	27 16 77 4	10
	blue	2-pos.	EB 2-DIK BU	26 A	27 16 64 8	100
	blue	3-pos.	EB 3-DIK BU	26 A	27 16 65 1	100
	blue	4-pos.	EB 4-DIK BU	26 A	27 16 66 4	100
	blue	5-pos.	EB 5-DIK BU	26 A	27 16 67 7	100
	blue	10-pos.	EB 10-DIK BU	26 A	27 16 68 0	10
Can be disconnected	blue	80-pos.	EB 80-DIK BU	26 A	27 15 94 0	5
	Red	80-pos.	EB 80-DIK RD	26 A	27 15 95 3	5
	white	80-pos.	EB 80-DIK WH	26 A	27 15 78 8	5

## Power Optocoupler Terminal Blocks up to 10 A – DEK-OV

### Technical Data

#### Input data (Input)

Operating voltage range [V DC]  $\pm 20\%$   
Switching level 1-signal ("H")  
0-signal ("L")  
Current at nominal voltage [mA]  
Transmission frequency  $f_{limit}$  [Hz] (ohmic load)  
Input wiring

DC 3 A			DC 10 A			AC		
5	12	24	5	12	24	5	12	24
0.8 x U <sub>N</sub>			0.8 x U <sub>N</sub>			0.8 x U <sub>N</sub>		
0.4 x U <sub>N</sub>			0.4 x U <sub>N</sub>			0.4 x U <sub>N</sub>		
11	9	7	5	5	4	10	11	11
300			100			10		

Operating indicator (LED yellow), protection against polarity reversal (10 A and AC type surge voltage protection)

#### Output data (Output)

Operating voltage range  
Periodical peak off-state voltage  
Maximum continuous load current  
Minimum load current  
Surge current  
Residual voltage at maximum load current  
Leakage in the off-state  
Max. phase shift (inductive load)  
 $I^2t$  value  $I^2 \times t$  (t = 10 ms)  
Switching time  $t_{on}/t_{off}$   
Output circuit

DC 3 A	DC 10 A	AC
3... 30 V DC	5... 30 V DC	10-253 V AC, 50/60 Hz
–	–	600 V
3 A (see 'Derating')	10 A (see 'Derating')	0.8 A (see 'Derating')
–	–	10 mA
–	–	30 A (t = 10 ms)
Approx. 0.2 V	< 50 mV	< 1 V
–	–	1.2 mA
–	–	$\cos\varphi = 0.5$
–	–	4.5 A <sup>2</sup> s
Approx. 40 $\mu$ s/200 $\mu$ s	ca. 250 $\mu$ s/800 $\mu$ s	< 10 ms
2-wire - floating	2-wire - linked to the ground	2-wire - floating, zero voltage switch

Protection against polarity reversal, surge voltage protection RCV wiring

Output wiring

#### General Data

Test voltage input/output  
Ambient operating temperature range  
Standards/specifications

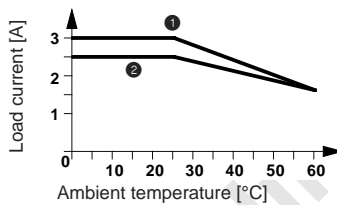
2.5 kV AC, 50 Hz, 1 minute  
- 20 °C to +60°C (-4°F to +131°F)  
IEC 60 664/IEC 60 664 A/DIN VDE 0110,  
Pollution degree 2, surge voltage protection category III  
Any  
can be connected without distance  
Screw connection

Mounting position  
Mounting  
Connection type

<sup>1)</sup> Please observe the maximum current carrying capacity of the jumper and the number of connected inputs and outputs. The supply must only be provided directly at the insertion jumper.

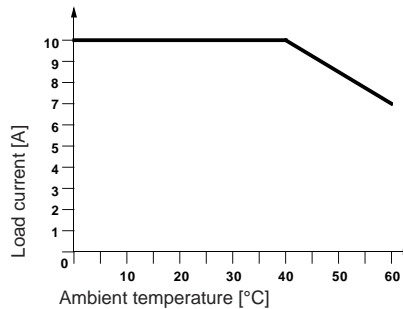
<sup>2)</sup> other voltage values on request.

Load current independent of the ambient temperature for DEK-OV-.../24DC/3 and DEK-OV-24DC/24DC/3/AKT, Nominal operating mode 100 % ED

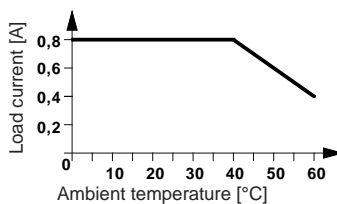


- ① Mounting, horizontal
- ② Mounting, vertical

Load current depending on the ambient temperature for DEK-OV-.../24DC/10, Nominal operating mode 100 % ED



Load current independent of the ambient temperature for DEK-OV-.../240AC/800, Nominal operating mode 100 % ED



#### Note:

##### Types of insulating housings

**Polyamid PA, not reinforced,** see INTERFACE catalog  
Color: Green

**Torque for terminal block screw see INTERFACE catalog.**

**Marking system and assembly material see CLIPLINE catalog.**

**The dimensioning cross section (see INTERFACE catalog) is meant for unstripped wires without ferrules.**

**Inductive loads must be limited to protect input and output with an effective protective circuit.**

**Items printed in bold can be supplied at short notice!**