



Extract from the online catalog

## ME B-12,5 MKDSO GN

Order No.: 2906872

Illustration shows a fully mounted version of the electronic housing



<http://eshop.phoenixcontact.de/phoenix/treeViewClick.do?UID=2906872>

Cover caps, for unoccupied terminal points

Commercial data	
EAN	4017918126506
Pack	10 pcs.
Customs tariff	85369010
Weight/Piece	0.00075 KG
Catalog page information	Page 580 (CC-2009)

### Product notes

WEEE/RoHS-compliant since:  
01/01/2003

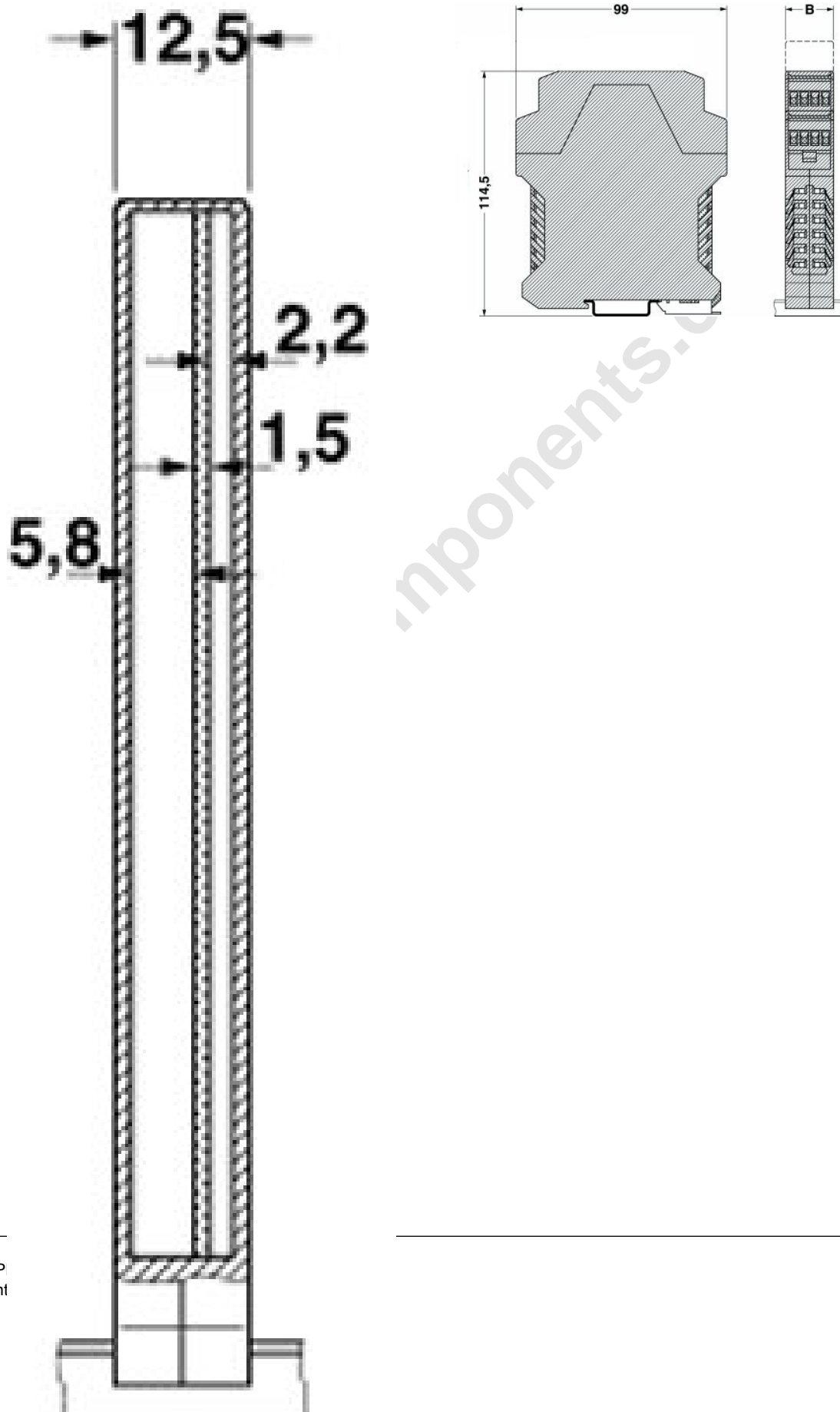


<http://www.download.phoenixcontact.com>  
Please note that the data given here has been taken from the online catalog. For comprehensive information and data, please refer to the user documentation. The General Terms and Conditions of Use apply to Internet downloads.

ME B-12,5 MKDSO GN Order No.: 2906872  
<http://eshop.phoenixcontact.de/phoenix/treeViewClick.do?UID=2906872>

Diagrams/Drawings

Dimensioned drawing



ME B-12,5 MKDSO GN Order No.: 2906872  
<http://eshop.phoenixcontact.de/phoenix/treeViewClick.do?UID=2906872>

---

**Address**

PHOENIX CONTACT Deutschland GmbH  
Flachmarktstr. 8  
32825 Blomberg, Germany  
Phone +49 5235 3 12000  
Fax +49 5235 3 41200  
<http://www.phoenixcontact.de>



© 2010 Phoenix Contact  
Technical modifications reserved;

onlinecomponents.com