



Extract from the online catalog

ME 12,5 UTG/FE GN

Order No.: 2906801

Illustration shows a fully mounted version of the electronic housing



<http://eshop.phoenixcontact.de/phoenix/treeViewClick.do?UID=2906801>

Lower part of housing, fully assembled, with integrated functional earth ground contact, (housing closed) and metal foot catch.

Commercial data	
EAN	4017918131401
Pack	10 pcs.
Customs tariff	85472000
Weight/Piece	0.04059 KG
Catalog page information	Page 574 (CC-2009)

Product notes

WEEE/RoHS-compliant since:
06/20/2005

<http://www.download.phoenixcontact.com>
Please note that the data given here has been taken from the online catalog. For comprehensive information and data, please refer to the user documentation. The General Terms and Conditions of Use apply to Internet downloads.

Technical data	
General	
Housing type	Component housing
Housing material	Polyamide
Color	green

ME 12,5 UTG/FE GN Order No.: 2906801
<http://eshop.phoenixcontact.de/phoenix/treeViewClick.do?UID=2906801>

Dimensions / positions

Length	99 mm
Width	12.5 mm
Number of positions	8

Technical data

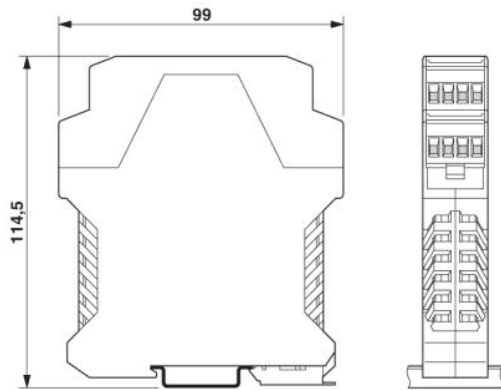
Ambient temperature (operation)	-40 °C ... 105 °C
Inflammability class acc. to UL 94	V0
Power dissipation at 20°C in the horizontal mounting position	4.3 W 7.1 W

onlinecomponents.com

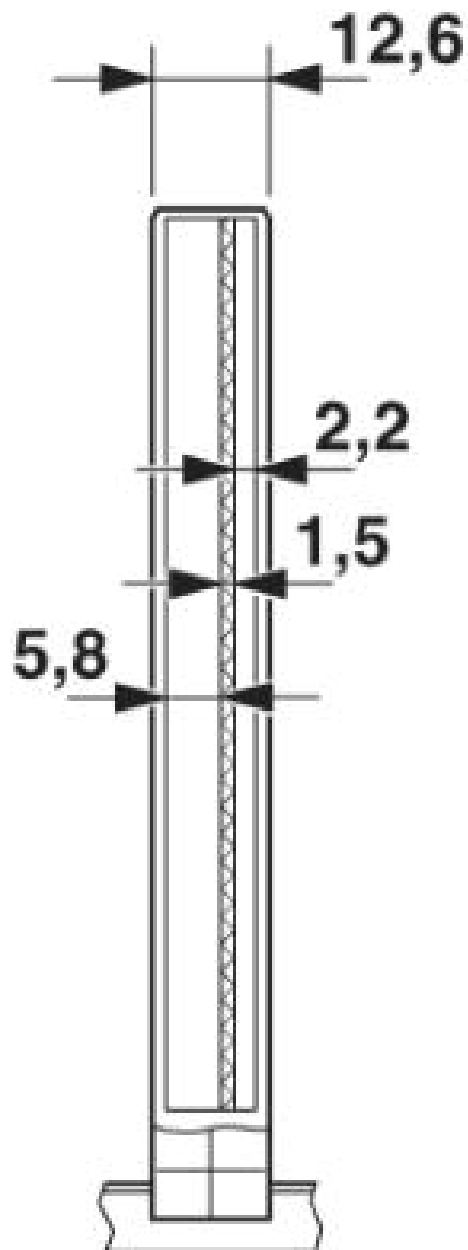
ME 12,5 UTG/FE GN Order No.: 2906801
<http://eshop.phoenixcontact.de/phoenix/treeViewClick.do?UID=2906801>

Drawings

Dimensioned drawing

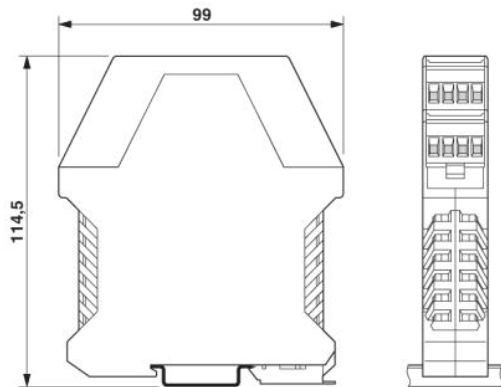


Dimensions of the electronic housing ME... with double-level upper part

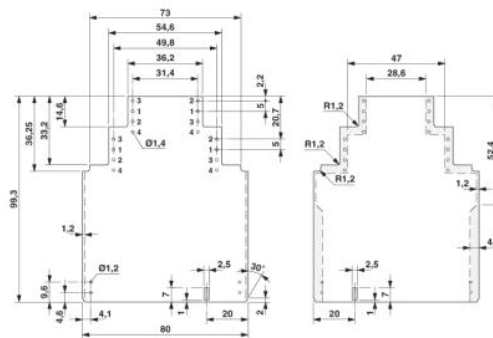


Inner housing dimensions, electronic housing ME 17.5 ...

ME 12,5 UTG/FE GN Order No.: 2906801
<http://eshop.phoenixcontact.de/phoenix/treeViewClick.do?UID=2906801>



Dimensions of the electronic housing ME... with double-level upper part



Dimensional drawing of the ME... printed circuit board if the double level upper part is used

onlinecomponents.com

ME 12,5 UTG/FE GN Order No.: 2906801
<http://eshop.phoenixcontact.de/phoenix/treeViewClick.do?UID=2906801>

Address

PHOENIX CONTACT GmbH & Co. KG
Flachsmarktstr. 8
32825 Blomberg, Germany
Phone +49 5235 3 00
Fax +49 5235 3 41200
<http://www.phoenixcontact.de>



© 2009 Phoenix Contact
Technical modifications reserved;

onlinecomponents.com