



Extract from the online catalog

UM108-SEPEF/L-A73

Order No.: 2906513




<http://eshop.phoenixcontact.de/phoenix/treeViewClick.do?UID=2906513>

Side element with foot, tall design, left, for 73 mm wide U-shaped cover, with PE contact to the DIN rail.

Commercial data	
EAN	4017918131340
Pack	10 pcs.
Customs tariff	85369010
Weight/Piece	0.02723 KG
Catalog page information	Page 607 (CC-2009)

Product notes

WEEE/RoHS-compliant since:
01/01/2003



<http://www.download.phoenixcontact.com>
Please note that the data given here has been taken from the online catalog. For comprehensive information and data, please refer to the user documentation. The General Terms and Conditions of Use apply to Internet downloads.

Technical data

General	
Housing type	Side cover
Housing material	PA
Color	green

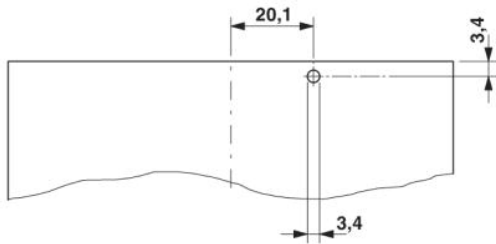
UM108-SEPEF/L-A73 Order No.: 2906513
<http://eshop.phoenixcontact.de/phoenix/treeViewClick.do?UID=2906513>

Technical data

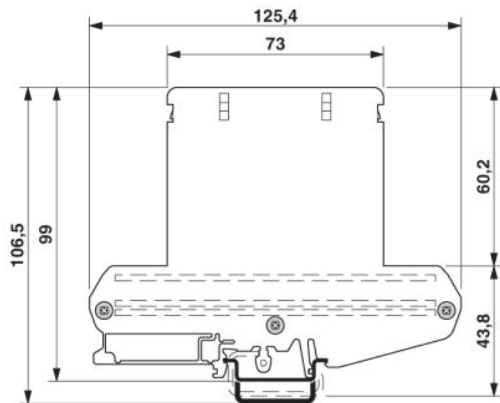
Inflammability class acc. to UL 94	V0
------------------------------------	----

Diagrams/Drawings

Drilling plan/solder pad geometry



Dimensioned drawing



UM108-SEPEF/L-A73 Order No.: 2906513
<http://eshop.phoenixcontact.de/phoenix/treeViewClick.do?UID=2906513>

Address

PHOENIX CONTACT Deutschland GmbH
Flachmarktstr. 8
32825 Blomberg, Germany
Phone +49 5235 3 12000
Fax +49 5235 3 41200
<http://www.phoenixcontact.de>



© 2010 Phoenix Contact
Technical modifications reserved;

onlinecomponents.com