



Extract from the online catalog

NEF 1- 6

Order No.: 2783082



<http://eshop.phoenixcontact.de/phoenix/treeViewClick.do?UID=2783082>

Mains interference filter, with universal foot for mounting on NS 32 and NS 35/7.5, nominal current: 6 A

Commercial data	
EAN	4017918069803
Pack	5 pcs.
Customs tariff	85363010
Weight/Piece	0.18132 KG
Catalog page information	Page 54 (TT-2009)

Product notes

WEEE/RoHS-compliant since:
09/29/2006



<http://www.download.phoenixcontact.com>
Please note that the data given here has been taken from the online catalog. For comprehensive information and data, please refer to the user documentation. The General Terms and Conditions of Use apply to Internet downloads.

Technical data

Standards	
Housing material	PA
Inflammability class acc. to UL 94	V2
Color	black

NEF 1- 6 Order No.: 2783082

<http://eshop.phoenixcontact.de/phoenix/treeViewClick.do?UID=2783082>

Standards for air and creepage distances	IEC 60664-1: 1992-10
	VDE 0110-1
Degree of protection	IP20
Design	Rail-mountable module, one-piece
Mounting type	DIN rail/G-profile rail
Ambient temperature (operation)	-25 °C ... 100 °C (HMF)
Direction of action	1L-N & N-PE
Width	38.30 mm
Height	85.50 mm
Length	79.40 mm

Protective circuit

Nominal voltage U_N	240 V AC
Max. operating voltage U_{max}	264 V AC
Arrester rated voltage U_C (L-N)	264 V AC
Arrester rated voltage U_C (L-PE)	250 V AC
Nominal frequency f_N	50 Hz
	60 Hz
Nominal current I_N	6 A ($\leq 40^\circ\text{C}$)
Operating effective current I_C at U_C	≤ 0.25 mA
Discharge current to PE at U_C	≤ 0.5 mA
Inductivity in series	2x 2.7 mH (in acc. with VDE 0565-2 with current compensation)
Capacity (L-N)	2x 470 nF (X2)
Capacity (L-PE)	2x 2.2 nF (Y2)
Max. required back-up fuse	6.3 A (gL/C)
Input attenuation aE, sym.	> 80 dB (50 Ω / 1 MHz)
Input attenuation aE, asym.	> 40 dB (50 Ω / 1 MHz)

Non-heating apparatus connection, power supply

Type of connection	Screw connection
Connection type IN	Screw terminal blocks
Connection type OUT	Screw terminal blocks
Screw thread	M3
Tightening torque, min	0.8 Nm
Stripping length	8 mm
Conductor cross section stranded min.	0.2 mm ²

NEF 1- 6 Order No.: 2783082

<http://eshop.phoenixcontact.de/phoenix/treeViewClick.do?UID=2783082>

Conductor cross section stranded max.	2.5 mm ²
Conductor cross section solid min.	0.2 mm ²
Conductor cross section solid max.	4 mm ²
Conductor cross section AWG/kcmil min.	24
Conductor cross section AWG/kcmil max	12

Connection, protective circuit

Standards/regulations	IEC 60939-2
	DIN EN 60939-2

Protective circuit, filter

Discharge resistor	1 MΩ
--------------------	------

Certificates / Approvals



Certification

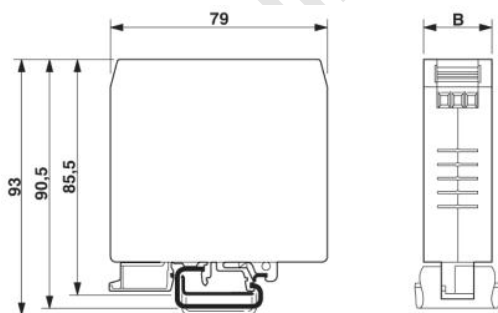
GL, GOST, LR, VDE-PZI

VDE

Nominal voltage U _N	250 V
Nominal current I _N	6 A

Diagrams/Drawings

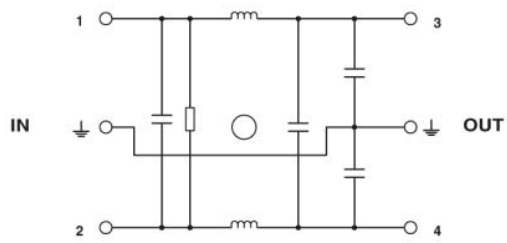
Dimensioned drawing



NEF 1- 6 Order No.: 2783082

<http://eshop.phoenixcontact.de/phoenix/treeViewClick.do?UID=2783082>

Circuit diagram



onlinecomponents.com

NEF 1- 6 Order No.: 2783082

<http://eshop.phoenixcontact.de/phoenix/treeViewClick.do?UID=2783082>

Address

PHOENIX CONTACT Deutschland GmbH
Flachmarktstr. 8
32825 Blomberg, Germany
Phone +49 5235 3 12000
Fax +49 5235 3 41200
<http://www.phoenixcontact.de>



© 2010 Phoenix Contact
Technical modifications reserved;

onlinecomponents.com