

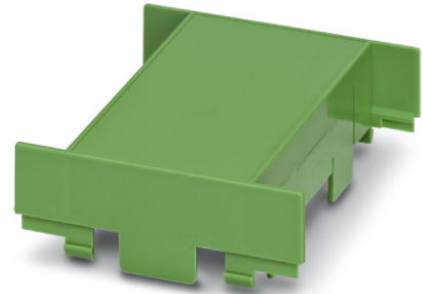


Extract from the online catalog

EG 90-A/PC GN

Order No.: 2764988

Illustration shows a fully mounted version of the electronic housing




<http://eshop.phoenixcontact.de/phoenix/treeViewClick.do?UID=2764988>

Housing cover, for connection on both sides

Commercial data	
GTIN (EAN)	4017918107932
sales group	F020
Pack	10 pcs.
Customs tariff	85369010
Weight/Piece	0.02564 KG
Catalog page information	Page 571 (CC-2009)

Product notes

WEEE/RoHS-compliant since:
01/01/2003



<http://www.download.phoenixcontact.com>
Please note that the data given here has been taken from the online catalog. For comprehensive information and data, please refer to the user documentation. The General Terms and Conditions of Use apply to Internet downloads.

Technical data

General	
Housing type	Upper part
Housing material	ABS
Color	green

Dimensions / positions	
Length	75 mm

EG 90-A/PC GN Order No.: 2764988
<http://eshop.phoenixcontact.de/phoenix/treeViewClick.do?UID=2764988>

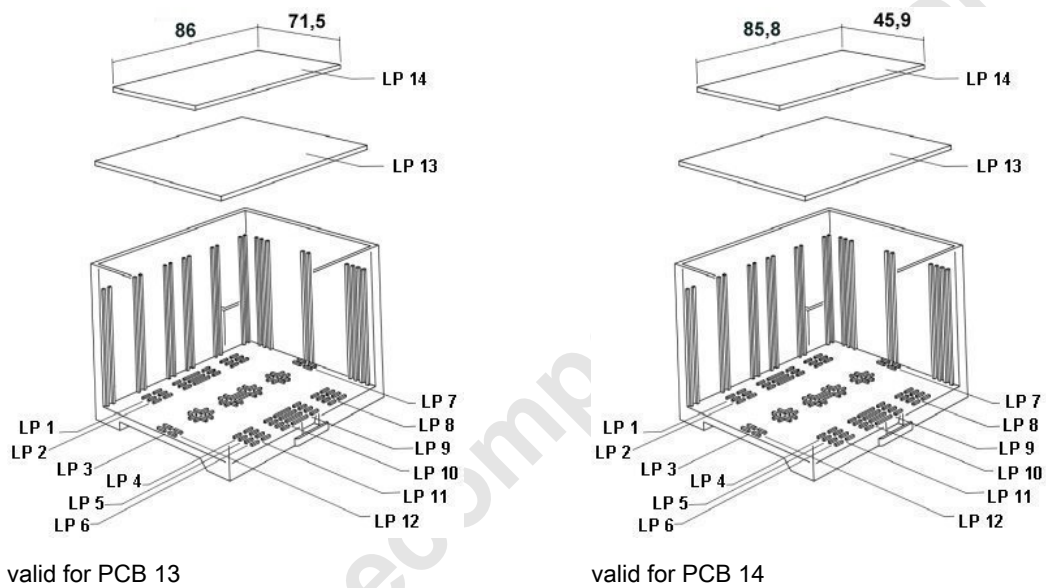
Constructional height	17.5 mm
Width	90 mm
Number of positions	34

Technical data

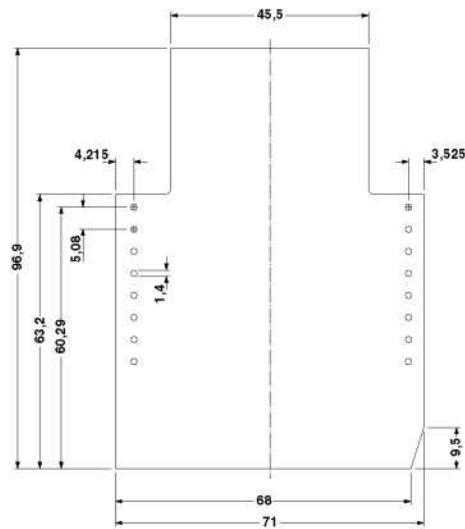
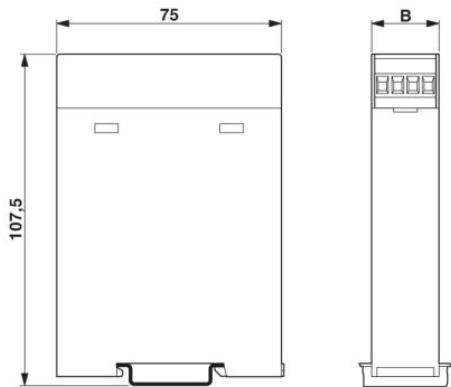
Ambient temperature (operation)	80 °C
Inflammability class acc. to UL 94	V0

Diagrams/Drawings

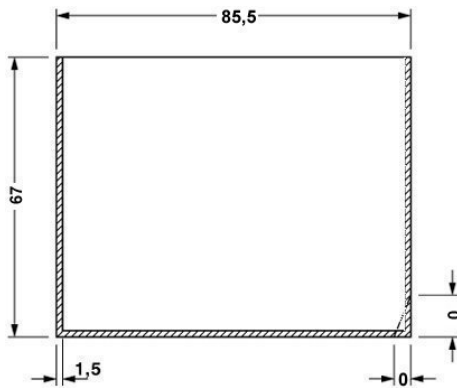
Explosion drawing



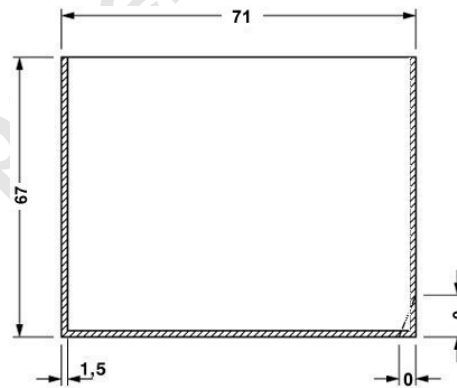
Dimensioned drawing



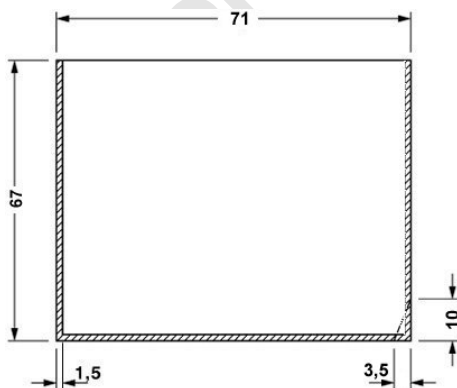
Component mounting side, if the double-level upper part is used



valid for PCB 1; 2; 3; 4; 5 und 6, see explosion drawing



valid for PCB 7; 8; 11 and 12, see explosion drawing



valid for PCB 9 and 10, see explosion drawing

EG 90-A/PC GN Order No.: 2764988
<http://eshop.phoenixcontact.de/phoenix/treeViewClick.do?UID=2764988>

Address

PHOENIX CONTACT Deutschland GmbH
Flachmarktstr. 8
32825 Blomberg, Germany
Phone +49 5235 3 12000
Fax +49 5235 3 41200
<http://www.phoenixcontact.de>



© 2010 Phoenix Contact
Technical modifications reserved;

onlinecomponents.com