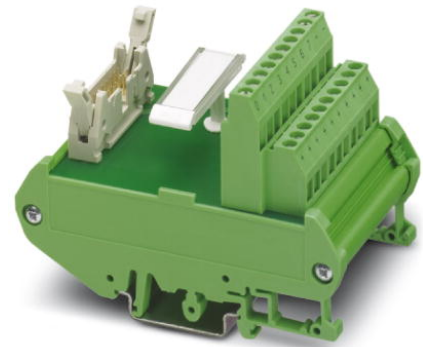




Extract from the online catalog

FLKM 14/8P/PLC

Order No.: 2290410




<http://eshop.phoenixcontact.de/phoenix/treeViewClick.do?UID=2290410>

VARIOFACE interface module, for 8 channels, each with an additional terminal block per signal for a common plus potential

Commercial data	
EAN	4017918058029
Pack	1 pcs.
Customs tariff	85369010
Weight/Piece	0.1367 KG
Catalog page information	Page 202 (IF-2007)

Product notes

WEEE/RoHS-compliant since:
09/11/2006



<http://www.download.phoenixcontact.com>
Please note that the data given here has been taken from the online catalog. For comprehensive information and data, please refer to the user documentation. The General Terms and Conditions of Use apply to Internet downloads.

Technical data

General data	
Nominal voltage U_N	< 50 V AC
	60 V DC
Max. current carrying capacity per branch	1 A
Max. total current of voltage supply	3 A
Number of positions	14

FLKM 14/8P/PLC Order No.: 2290410
http://eshop.phoenixcontact.de/phoenix/treeViewClick.do?UID=2290410

Width	57 mm
Height	68 mm
Depth	90 mm
Status display	No
Ambient temperature (operation)	-20 °C ... 50 °C
Ambient temperature (storage/transport)	-20 °C ... 70 °C
Test voltage	500 V (50 Hz, 1 min.)
Mounting position	Any
Standards/regulations	IEC 60664
	DIN EN 50178
	IEC 62103
Pollution degree	2
Surge voltage category	II

Connection data

Connection 1	Field level
Type of connection	Screw connection
Conductor cross section solid min.	0.2 mm ²
Conductor cross section solid max.	4 mm ²
Conductor cross section stranded min.	0.2 mm ²
Conductor cross section stranded max.	2.5 mm ²
Conductor cross section AWG/kcmil min.	24
Conductor cross section AWG/kcmil max	12
Stripping length	8 mm
Screw thread	M3
Connection 2	Control system level
Number of connections	1
Type of connection	Flat-ribbon cable plug connector in acc. with IEC 60603-13
Number of positions	14

Certificates / Approvals



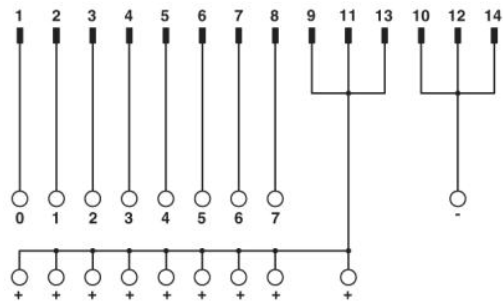
Certification

CUL, GOST, UL

FLKM 14/8P/PLC Order No.: 2290410
<http://eshop.phoenixcontact.de/phoenix/treeViewClick.do?UID=2290410>

Drawings

Circuit diagram



Connection scheme: FLKM 14/8P/PLC

onlinecomponents.com

FLKM 14/8P/PLC Order No.: 2290410
<http://eshop.phoenixcontact.de/phoenix/treeViewClick.do?UID=2290410>

Address

PHOENIX CONTACT GmbH & Co. KG
Flachsmarktstr. 8
32825 Blomberg, Germany
Phone +49 5235 3 00
Fax +49 5235 3 41200
<http://www.phoenixcontact.de>



© 2009 Phoenix Contact
Technical modifications reserved;

onlinecomponents.com