



Extract from the online catalog

FLK-D37 SUB/S

Order No.: 2283634



<http://eshop.phoenixcontact.de/phoenix/treeViewClick.do?UID=2283634>

VARIOFACE module, with screw connection and D-Subminiature male connector, for mounting on NS 35/7.5 or NS 32, 37-pos. (separate test socket for each channel)

Commercial data	
EAN	4017918055578
Pack	5 pcs.
Customs tariff	85369010
Weight/Piece	0.16063 KG
Catalog page information	Page 248 (IF-2007)

Product notes

WEEE/RoHS-compliant since:
08/03/2006



<http://www.download.phoenixcontact.com>
Please note that the data given here has been taken from the online catalog. For comprehensive information and data, please refer to the user documentation. The General Terms and Conditions of Use apply to Internet downloads.

Technical data

General data	
Nominal voltage U_N	125 V AC
Max. current carrying capacity per branch	2.5 A
Max. total current of all branches	55 A

FLK-D37 SUB/S Order No.: 2283634
http://eshop.phoenixcontact.de/phoenix/treeViewClick.do?UID=2283634

Number of positions	37
Width	96 mm
Height	51.2 mm
Depth	51.6 mm
Ambient temperature (operation)	-25 °C ... 50 °C
Ambient temperature (storage/transport)	-25 °C ... 70 °C
Test voltage	800 V AC (50 Hz, 1 min.)
Mounting position	Any
Standards/regulations	IEC 60664
	DIN EN 50178
	IEC 62103
Pollution degree	2
Surge voltage category	II

Connection data

Connection 1	PCB connection
Connection in acc. with standard	IEC / EN
Type of connection	Screw connection
Conductor cross section solid min.	0.2 mm ²
Conductor cross section solid max.	4 mm ²
Conductor cross section stranded min.	0.2 mm ²
Conductor cross section stranded max.	2.5 mm ²
Conductor cross section AWG/kcmil min.	24
Conductor cross section AWG/kcmil max	12
Stripping length	8 mm
Screw thread	M3
Connection 2	D-SUB connection
Type of connection	Pluggable
Number of positions	37

Certificates / Approvals



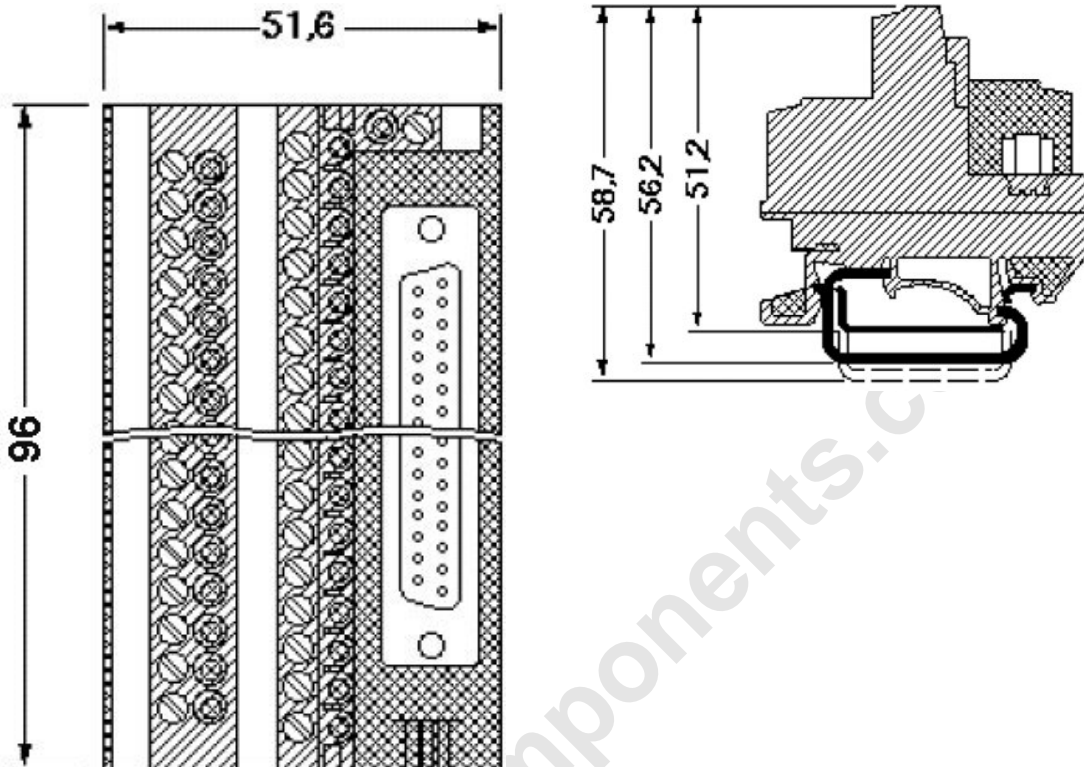
Certification

GOST

FLK-D37 SUB/S Order No.: 2283634
<http://eshop.phoenixcontact.de/phoenix/treeViewClick.do?UID=2283634>

Diagrams/Drawings

Dimensioned drawing



FLK-D37 SUB/S Order No.: 2283634
<http://eshop.phoenixcontact.de/phoenix/treeViewClick.do?UID=2283634>

Address

PHOENIX CONTACT Deutschland GmbH
Flachmarktstr. 8
32825 Blomberg, Germany
Phone +49 5235 3 12000
Fax +49 5235 3 41200
<http://www.phoenixcontact.de>



© 2010 Phoenix Contact
Technical modifications reserved;

onlinecomponents.com