



Extract from the online catalog

# DFK-MSTBVA 2,5/ 7-G-5,08

Order No.: 1899184

The figure shows a 10-position version of the product




<http://eshop.phoenixcontact.de/phoenix/treeViewClick.do?UID=1899184>

Header, Nominal current: 12 A, Nom. voltage: 250 V, Nom. voltage: 250 V, Pitch: 5.08 mm, Number of positions: 7, Color: green, Assembly: Soldering

Commercial data	
EAN	4017918186203
Pack	50 pcs.
Customs tariff	85366990
Weight/Piece	0.00588 KG
Catalog page information	Page 287 (CC-2009)

**Product notes**

WEEE/RoHS-compliant since: 06/16/2005



<http://www.download.phoenixcontact.com>  
Please note that the data given here has been taken from the online catalog. For comprehensive information and data, please refer to the user documentation. The General Terms and Conditions of Use apply to Internet downloads.

## Technical data

Dimensions / positions	
Length	12 mm
Pitch	5.08 mm
Dimension a	30.48 mm
Number of positions	7

DFK-MSTBVA 2,5/ 7-G-5,08 Order No.: 1899184  
http://eshop.phoenixcontact.de/phoenix/treeViewClick.do?UID=1899184

#### Technical data

Insulating material group	IIIa
Rated surge voltage (III/3)	4 kV
Rated surge voltage (III/2)	4 kV
Rated surge voltage (II/2)	4 kV
Rated voltage (III/2)	320 V
Rated voltage (II/2)	400 V
Connection in acc. with standard	EN-VDE
Nominal current $I_N$	12 A
Nominal voltage $U_N$	250 V
Maximum load current	12 A
Insulating material	PBT
Inflammability class acc. to UL 94	V0

#### Certificates / Approvals



Certification CB, CUL, GOST, UL, VDE-PZI

#### CUL

Nominal voltage $U_N$	300 V
Nominal current $I_N$	10 A

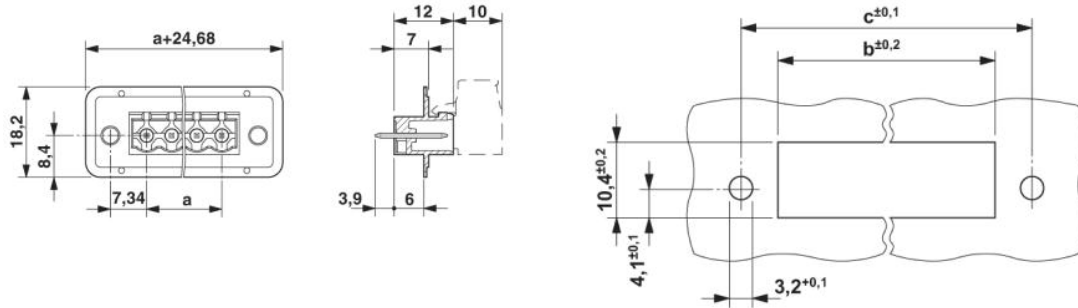
#### UL

Nominal voltage $U_N$	300 V
Nominal current $I_N$	10 A

DFK-MSTBVA 2,5/ 7-G-5,08 Order No.: 1899184  
<http://eshop.phoenixcontact.de/phoenix/treeViewClick.do?UID=1899184>

## Diagrams/Drawings

Dimensioned drawing



Dimension b = 2.38 mm + (no. of pos. x 5.08 mm)

Dimension c = Dim. b + 7.22 mm

DFK-MSTBVA 2,5/ 7-G-5,08 Order No.: 1899184  
<http://eshop.phoenixcontact.de/phoenix/treeViewClick.do?UID=1899184>

---

**Address**

PHOENIX CONTACT Deutschland GmbH  
Flachmarktstr. 8  
32825 Blomberg, Germany  
Phone +49 5235 3 12000  
Fax +49 5235 3 41200  
<http://www.phoenixcontact.de>



© 2010 Phoenix Contact  
Technical modifications reserved;

onlinecomponents.com